



C - PS



C - GGC



C - FSV



C - TMBV



C - FBV



C - CBV



C - MMBV



C - FWBV



C - BFV



C - DOV

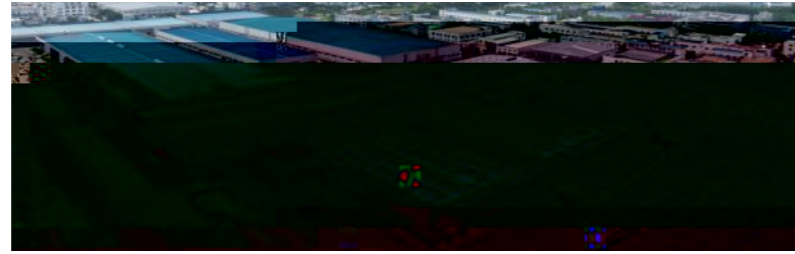


C - TOV



C - CPS





603699)



NORSOK



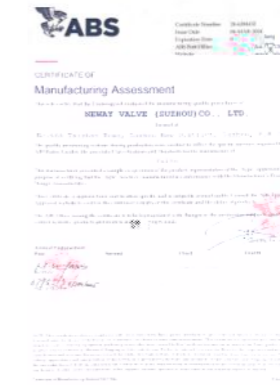
ISO9001



CE/PED



TA Luft



ABS



AD2000

1 1 3 1 1 230,000
 Ansys Fe-safe CF-design SiemensPLM NX
 SAP

ISO API

CE-PED ISO 9001 , API 6A, API 6D, API 600

API 624, ISO 15848 AD2000 API 607, API 6FA TA-Luft,

80

8 BSM 3 R - G , F316 / 45666

① ② ③ ④ ⑤ ⑥ ⑦

①

| | | | | | | | | | | | | |
|----|-----|-----|-----|-------|-----|-------|-----|-----|-----|-----|-----|------|
| in | 1/2 | 3/4 | 1 | 1-1/2 | 2 | 2-1/2 | 3 | 4 | 6 | 8 | 10 | 12 |
| mm | 15 | 20 | 25 | 40 | 50 | 65 | 80 | 100 | 150 | 200 | 250 | 300 |
| in | 14 | 16 | 18 | 20 | 24 | 26 | 28 | 30 | 32 | 34 | 36 | 40 |
| mm | 350 | 400 | 450 | 500 | 600 | 650 | 700 | 750 | 800 | 850 | 900 | 1000 |

| | | | | | | | | | | | | |
|----|---------|---------|---------|---------|---------|---------|---------|---------|---------|---------|---------|----------|
| in | 1/2x3/8 | 3/4x1/2 | 1x3/4 | 1-1/2x1 | 2x1-1/2 | 2-1/2x2 | 3x2 | 4x3 | 6x4 | 8x6 | 10x8 | 12x10 |
| mm | 15x10 | 20x15 | 25x20 | 40x25 | 50x40 | 65x50 | 80x50 | 100x80 | 150x100 | 200x150 | 250x200 | 300x250 |
| in | 14x12 | 16x14 | 18x16 | 20x18 | 24x20 | 26x24 | 28x24 | 30x24 | 32x30 | 34x30 | 36x30 | 40x36 |
| mm | 350x300 | 400x350 | 450x400 | 500x450 | 600x500 | 650x600 | 700x600 | 750x600 | 800x750 | 850x750 | 900x750 | 1000x900 |

②

| | | | |
|-----|--|-----|---------|
| BM | | BSM | |
| BBM | | BSK | (0) |
| | | | (0 +) |

③ &

| | | | | | |
|---|-----|-------|----|------|-------|
| | | (Mpa) | | | (Mpa) |
| 1 | 150 | 2 | 8 | 800 | 14 |
| 3 | 300 | 5 | 9 | 900 | 15 |
| 4 | 400 | 6.8 | 15 | 1500 | 25 |
| 6 | 600 | 10 | 25 | 2500 | 42 |

④

| | | | | | |
|---|-------|---|--|----|-----------|
| R | | B | | N | NPT |
| J | RTJ法兰 | S | | SN | () / () |

⑤

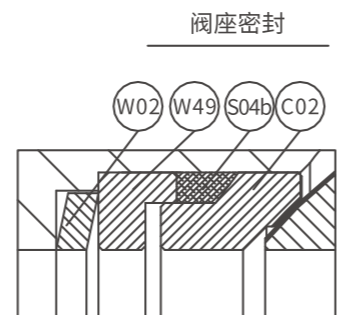
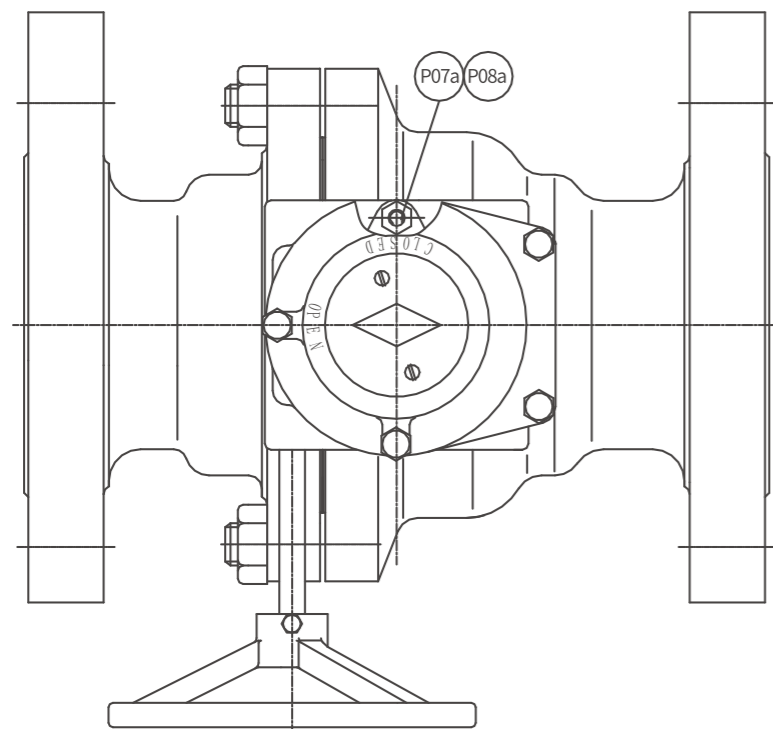
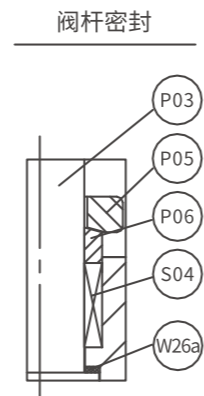
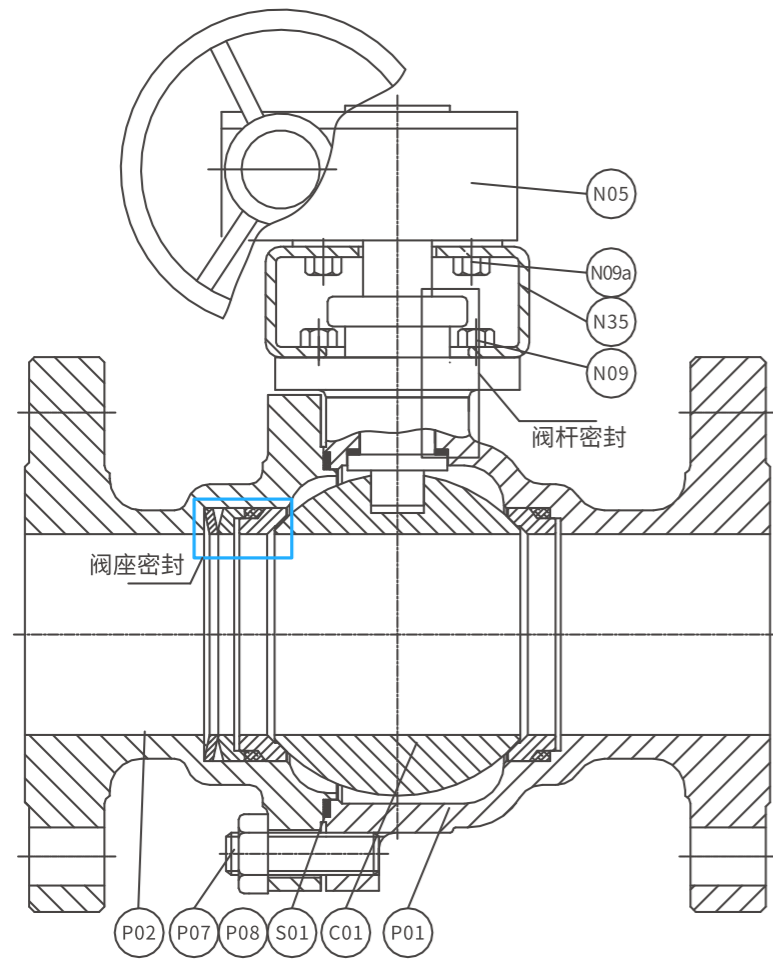
| | | | |
|---|--|----|--|
| G | | BS | |
| M | | H | |
| P | | L | |
| | | D | |

⑥

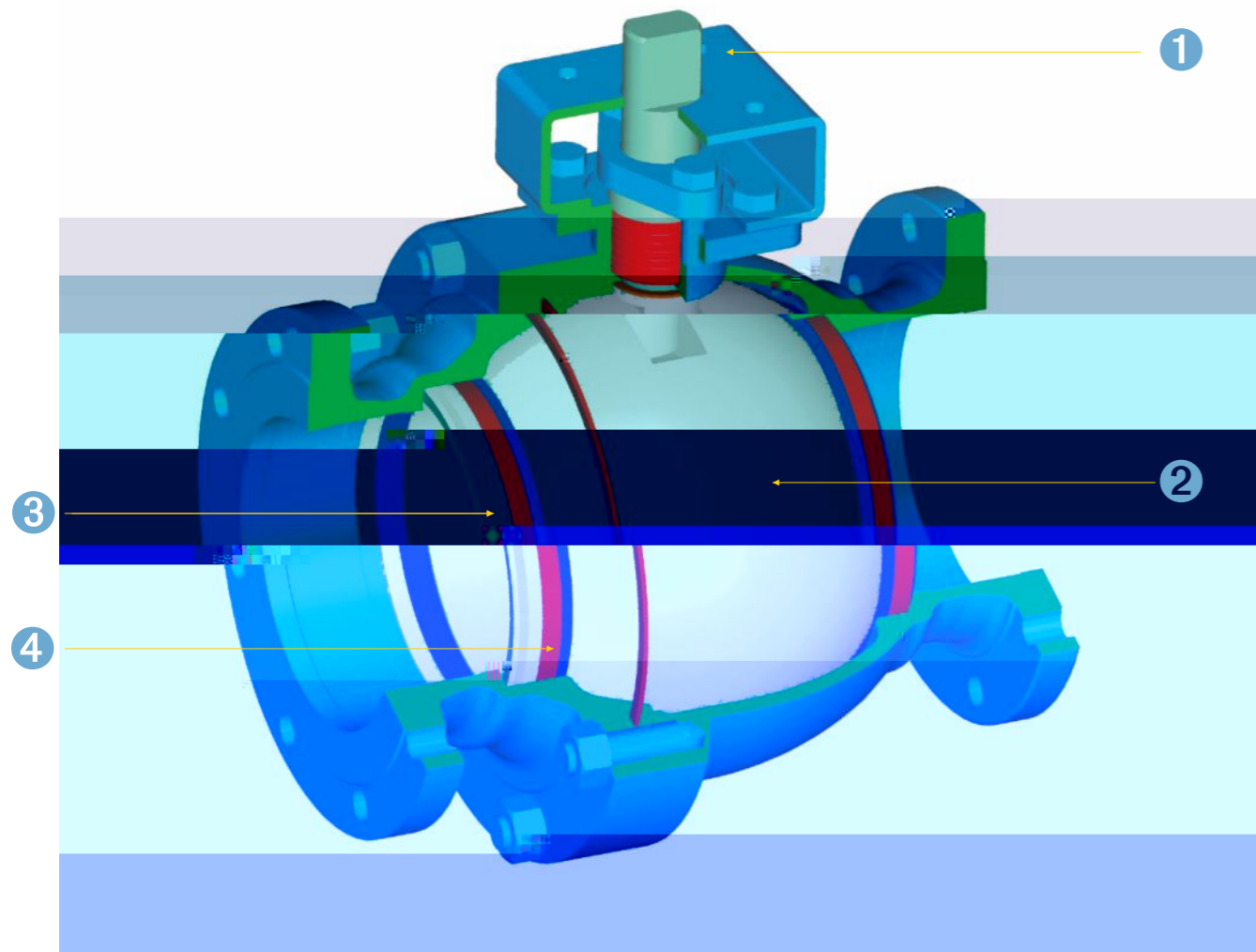
| | | | | | | | |
|--|-------------|-----------------|--------------|--------------|---------------|---------------|-------------|
| | WCB | LCB | CF8 | CF8M | CF3 | CF3M | 4A |
| | A216 Gr.WCB | A352 Gr.WCB | A351 Gr.CFB | A351 Gr.CF8M | A351 Gr.CF3 | A351 Gr.CF3M | A890 Gr.4A |
| | ASTM A105 | LF2 | F304 | F316 | F304L | F316L | F51 |
| | ASTM A105 | A350 Gr.LF2 Cl1 | A182 Gr.F304 | A182 Gr.F316 | A182 Gr.F304L | A182 Gr.F316L | A182 Gr.F51 |

⑦

| | | | | |
|-------|-------------|-------|-------------|---------------|
| | | | | |
| -WC | -WC | 0 | 17-4PH | F6a |
| -NI60 | NI55 | | F51 | F304 |
| -WC | -NI55 | | F53 | A105N/ENP |
| | -Cr3C2-NiCr | | Inconel 718 | 17-4PH |
| | -Cr3C2-NiCr | | Monel k500 | AISI 4140/ENP |
| | -WC | -NI60 | | F316 |
| | | | | F304L |
| | | | | F316L |
| | | | | LF2/ENP |
| | | | | F51 |
| | | | | F51 |



| P01 | | ASTM A105N | ASTM A182 F316 |
|------|--|------------------------------|------------------------------|
| P02 | | ASTM A105N | ASTM A182 F316 |
| P03 | | ASTM A705 630 | ASTM A182 F51 |
| P05 | | ASTMA216 WCB | ASTM A351 CF8M |
| P06 | | ASTM A276 316/316L | ASTM A276 316/316L |
| P07 | | ASTM A193 B7M | ASTM A193 B8M Cl2 |
| P07a | | ASTM A193 B7M | ASTM A193 B8M Cl2 |
| P08 | | ASTM A194 2HM | ASTM A194 8M |
| P08a | | ASTM A194 2HM | ASTM A194 8M |
| C01 | | ASTM A182 F316/F316L+WC | ASTM A182 F316/F316L+WC |
| C02 | | ASTM A182 F316/F316L+WC | ASTM A182 F316/F316L+WC |
| S01 | | 316L+ | 316L+ |
| S04 | | | |
| S04b | | | |
| W02 | | ASTM B637 UNS N07750 | ASTM B637 UNS N07750 |
| W49 | | ASTM A182 F316/F316L | ASTM A182 F316/F316L |
| W26a | | ASTM A240 316/316L+NITRIDING | ASTM A240 316/316L+NITRIDING |
| N05 | | | |
| N09 | | ISO 898 8 | ISO 3506 A2-70 |
| N09a | | ISO 898 8.8 | ISO 3506 A2-70 |
| N35 | | ASTM A572 Gr50 | ASTM A572 Gr50 |

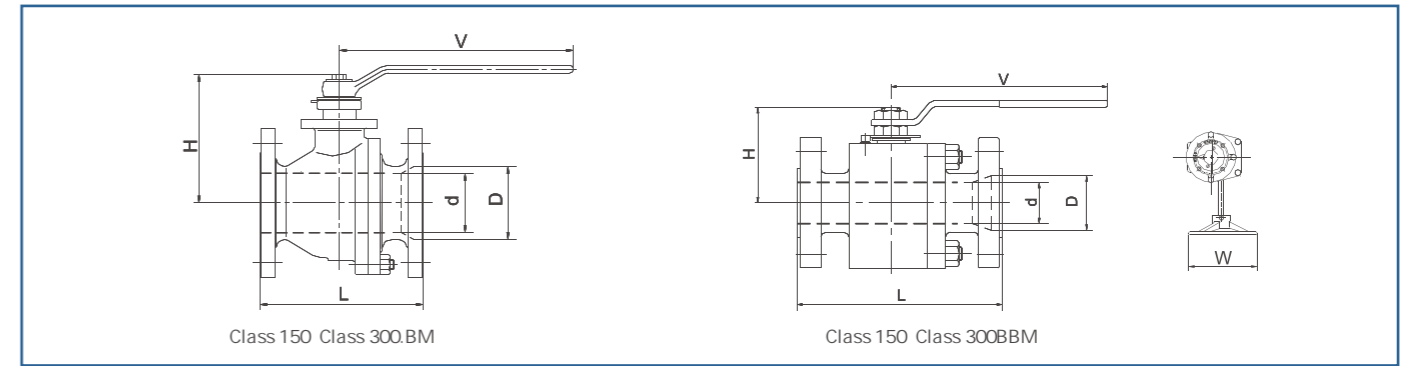


1 ISO 5211,

2

3

4



Class 150

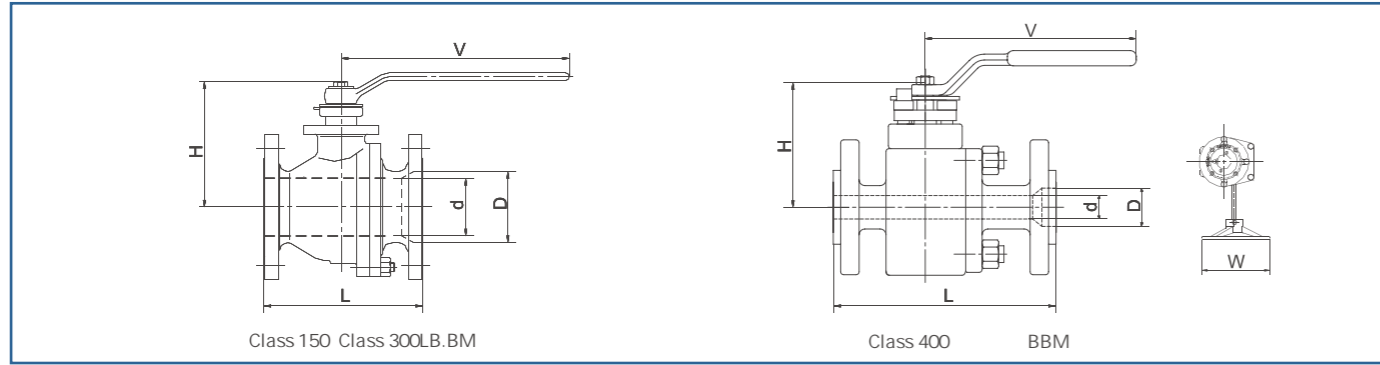
| | | D | | L | | | | H | | W | | V | | | |
|-------|-----|------|-----|------|-----|-------|-------|------|-------|----|----|-------|------|-------|----|
| | | | | RF | | BW | | | | | | | | | |
| in | mm | in | mm | in | mm | in | mm | in | mm | in | mm | in | mm | lb | kg |
| 1/2 | 15 | 0.51 | 13 | 4.25 | 108 | 5.49 | 139.5 | 2.23 | 56.6 | | | 5.51 | 140 | 4.41 | 2 |
| 3/4 | 20 | 0.75 | 19 | 4.61 | 117 | 6.00 | 152.5 | 2.32 | 59 | | | 5.51 | 140 | 6.61 | 3 |
| 1 | 25 | 0.98 | 25 | 5.00 | 127 | 6.50 | 165 | 3.29 | 83.5 | | | 8.46 | 215 | 8.82 | 4 |
| 1-1/2 | 40 | 1.50 | 38 | 6.50 | 165 | 7.52 | 191 | 4.63 | 117.5 | | | 10.43 | 265 | 17.64 | 8 |
| 2 | 50 | 2.01 | 51 | 7.01 | 178 | 8.50 | 216 | 5.15 | 130.8 | | | 16.93 | 430 | 22.05 | 10 |
| 3 | 80 | 2.99 | 76 | 7.99 | 203 | 11.14 | 283 | 6.90 | 175.3 | | | 41.73 | 1060 | 35.27 | 16 |
| 4 | 100 | 4.02 | 102 | 9.02 | 229 | 12.01 | 305 | 7.65 | 194.3 | | | 41.73 | 1060 | 88.18 | 40 |

Class 150

| | | D | | d | | L | | | | H | | W | | V | | | |
|---------|--------|------|-----|------|----|------|-----|-------|-------|------|-------|----|----|-------|-----|-------|-----|
| | | | | | | RF | | BW | | | | | | | | | |
| in | mm | in | mm | in | mm | in | mm | in | mm | in | mm | in | mm | in | mm | lb | kg |
| 1/2*3/8 | 15*10 | 0.51 | 13 | 0.28 | 7 | 4.25 | 108 | 5.49 | 139.5 | 1.93 | 49 | | | 5.51 | 140 | 3.31 | 1.5 |
| 3/4*1/2 | 20*15 | 0.75 | 19 | 0.51 | 13 | 4.61 | 117 | 6.00 | 152.5 | 2.23 | 56.6 | | | 5.51 | 140 | 4.41 | 2 |
| 1*3/4 | 25*20 | 0.98 | 25 | 0.75 | 19 | 5.00 | 127 | 6.50 | 165 | 2.32 | 59 | | | 5.51 | 140 | 6.61 | 3 |
| 1-1/2*1 | 40*25 | 1.50 | 38 | 0.98 | 25 | 6.50 | 165 | 7.52 | 191 | 3.29 | 83.5 | | | 8.46 | 215 | 15.43 | 7 |
| 2*1-1/2 | 50*40 | 2.01 | 51 | 1.50 | 38 | 7.01 | 178 | 8.50 | 216 | 4.63 | 117.5 | | | 10.43 | 265 | 17.64 | 8 |
| 3*2 | 80*50 | 2.99 | 76 | 2.01 | 51 | 7.99 | 203 | 11.14 | 283 | 5.15 | 130.8 | | | 10.43 | 265 | 30.86 | 14 |
| 4*3 | 100*80 | 4.02 | 102 | 2.99 | 76 | 9.02 | 229 | 12.01 | 305 | 6.90 | 175.3 | | | 16.93 | 430 | 79.37 | 36 |

Class 300

| | | D | | L | | | | H | | W | | V | | | |
|-------|-----|------|-----|-------|-----|-------|-----|-------|-------|-------|-----|-------|------|--------|----|
| | | | | RF | | BW | | | | | | | | | |
| in | mm | in | mm | in | mm | in | mm | in | mm | in | mm | in | mm | lb | kg |
| 1/2 | 15 | 0.51 | 13 | 5.51 | 140 | 5.51 | 140 | 2.23 | 56.6 | | | 5.51 | 140 | 6.61 | 3 |
| 3/4 | 20 | 0.75 | 19 | 5.98 | 152 | 5.98 | 152 | 2.32 | 59 | | | 5.51 | 140 | 8.82 | 4 |
| 1 | 25 | 0.98 | 25 | 6.50 | 165 | 6.50 | 165 | 3.29 | 83.5 | | | 8.46 | 215 | 13.23 | 6 |
| 1-1/2 | 40 | 1.50 | 38 | 7.52 | 191 | 7.52 | 191 | 4.63 | 117.5 | | | 10.43 | 265 | 24.25 | 11 |
| 2 | 50 | 2.01 | 51 | 8.50 | 216 | 8.50 | 216 | 5.15 | 130.8 | | | 16.93 | 430 | 33.07 | 15 |
| 3 | 80 | 2.99 | 76 | 11.14 | 283 | 11.14 | 283 | 6.90 | 175.3 | | | 41.73 | 1060 | 103.62 | 47 |
| 4 | 100 | 4.02 | 102 | 12.01 | 305 | 12.01 | 305 | 10.04 | 255 | 11.81 | 300 | | | 149.91 | 68 |



Class 300

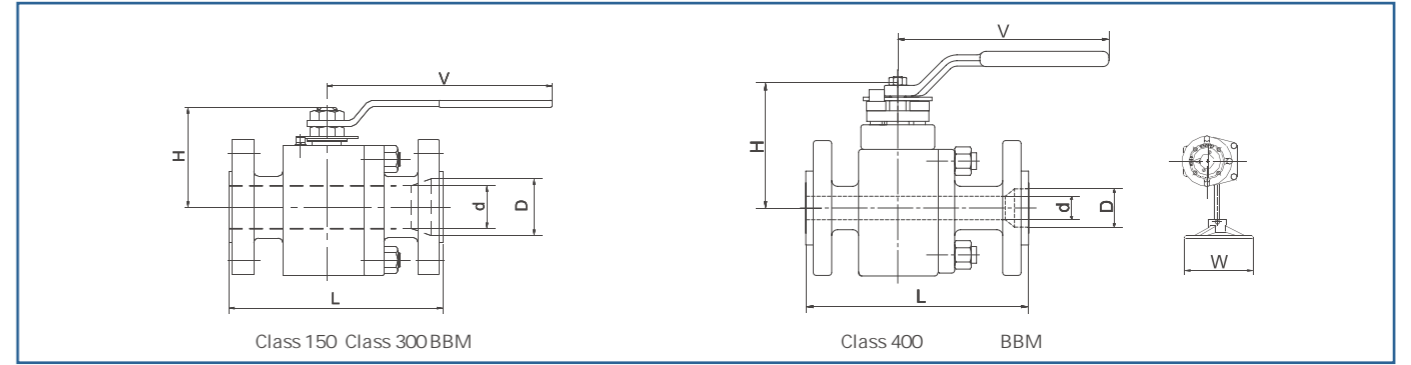
| | | D | | d | | L | | | | H | | W | | V | | | |
|-------|-----|------|-----|------|----|-------|-----|-------|-----|------|-------|----|----|-------|------|--------|----|
| | | | | | | RF | | BW | | | | | | | | | |
| in | mm | in | mm | in | mm | in | mm | in | mm | in | mm | in | mm | in | mm | lb | kg |
| 1/2 | 15 | 0.51 | 13 | 0.28 | 7 | 5.51 | 140 | 5.51 | 140 | 2.14 | 54.3 | | | 5.51 | 140 | 4.41 | 2 |
| 3/4 | 20 | 0.75 | 19 | 0.51 | 13 | 5.98 | 152 | 5.98 | 152 | 2.23 | 56.6 | | | 5.51 | 140 | 6.61 | 3 |
| 1 | 25 | 0.98 | 25 | 0.75 | 19 | 6.50 | 165 | 6.50 | 165 | 2.32 | 59 | | | 5.51 | 140 | 8.82 | 4 |
| 1-1/2 | 40 | 1.50 | 38 | 0.98 | 25 | 7.52 | 191 | 7.52 | 191 | 3.29 | 83.5 | | | 8.46 | 215 | 19.84 | 9 |
| 2 | 50 | 2.01 | 51 | 1.50 | 38 | 8.50 | 216 | 8.50 | 216 | 4.63 | 117.5 | | | 10.43 | 265 | 28.66 | 13 |
| 3 | 80 | 2.99 | 76 | 2.01 | 51 | 11.14 | 283 | 11.14 | 283 | 5.15 | 130.8 | | | 16.93 | 430 | 99.21 | 45 |
| 4 | 100 | 4.02 | 102 | 2.99 | 76 | 12.01 | 305 | 12.01 | 305 | 6.90 | 175.3 | | | 41.73 | 1060 | 143.30 | 65 |

Class 400

| | | D | | d | | L | | | | H | | W | | V | | | |
|-------|-----|------|-----|-------|-----|-------|-----|-------|-----|-------|-------|-------|-----|-------|-----|--------|-----|
| | | | | | | RF | | BW | | RTJ | | | | | | | |
| in | mm | in | mm | in | mm | in | mm | in | mm | in | mm | in | mm | in | mm | lb | kg |
| 1/2 | 15 | 0.51 | 13 | 6.50 | 165 | 6.50 | 165 | 6.46 | 164 | 3.86 | 98 | | | 5.91 | 150 | 8.82 | 4 |
| 3/4 | 20 | 0.75 | 19 | 7.52 | 191 | 7.52 | 191 | 7.52 | 191 | 4.53 | 115 | | | 7.09 | 180 | 13.23 | 6 |
| 1 | 25 | 0.98 | 25 | 8.50 | 216 | 8.50 | 216 | 8.50 | 216 | 4.74 | 120.5 | | | 10.43 | 265 | 24.25 | 11 |
| 1-1/2 | 40 | 1.50 | 38 | 9.49 | 241 | 9.49 | 241 | 9.49 | 241 | 6.26 | 159 | | | 11.81 | 300 | 55.11 | 25 |
| 2 | 50 | 2.01 | 51 | 11.50 | 292 | 11.50 | 292 | 11.61 | 295 | 11.34 | 288 | 11.81 | 300 | | | 110.23 | 50 |
| 3 | 80 | 2.99 | 76 | 14.02 | 356 | 14.02 | 356 | 14.13 | 359 | 11.89 | 302 | 15.75 | 400 | | | 121.25 | 55 |
| 4 | 100 | 4.02 | 102 | 15.98 | 406 | 15.98 | 406 | 16.14 | 410 | 12.60 | 320 | 23.62 | 600 | | | 414.46 | 188 |

Class 400

| | | D | | d | | L | | | | H | | W | | V | | | | | |
|-------|-----|------|-----|------|----|-------|-----|-------|-----|-------|-----|-------|-------|-------|-----|-------|-----|--------|-----|
| | | | | | | RF | | BW | | RTJ | | | | | | | | | |
| in | mm | in | mm | in | mm | in | mm | in | mm | in | mm | in | mm | in | mm | lb | kg | | |
| 1/2 | 15 | 0.51 | 13 | 0.28 | 7 | 6.50 | 165 | 6.50 | 165 | 6.46 | 164 | 3.19 | 81 | | | 5.91 | 150 | 6.61 | 3 |
| 3/4 | 20 | 0.75 | 19 | 0.51 | 13 | 7.52 | 191 | 7.52 | 191 | 7.52 | 191 | 3.86 | 98 | | | 5.91 | 150 | 11.02 | 5 |
| 1 | 25 | 0.98 | 25 | 0.75 | 19 | 8.50 | 216 | 8.50 | 216 | 8.50 | 216 | 4.53 | 115 | | | 7.09 | 180 | 19.84 | 9 |
| 1-1/2 | 40 | 1.50 | 38 | 0.98 | 25 | 9.49 | 241 | 9.49 | 241 | 9.49 | 241 | 4.74 | 120.5 | | | 10.43 | 265 | 48.50 | 22 |
| 2 | 50 | 2.01 | 51 | 1.50 | 38 | 11.50 | 292 | 11.50 | 292 | 11.61 | 295 | 6.26 | 159 | | | 11.81 | 300 | 55.11 | 25 |
| 3 | 80 | 2.99 | 76 | 2.01 | 51 | 14.02 | 356 | 14.02 | 356 | 14.13 | 359 | 11.34 | 288 | 11.81 | 300 | | | 112.43 | 51 |
| 4 | 100 | 4.02 | 102 | 2.99 | 76 | 15.98 | 406 | 15.98 | 406 | 16.14 | 410 | 11.89 | 302 | 15.75 | 400 | | | 399.03 | 181 |



Class 600

| | | D | | d | | L | | | | H | | W | | V | | | |
|-------|-----|------|-----|-------|-----|-------|-----|-------|-----|-------|-------|-------|-----|-------|-----|--------|-----|
| | | | | | | RF | | BW | | RTJ | | | | | | | |
| in | mm | in | mm | in | mm | in | mm | in | mm | in | mm | in | mm | in | mm | lb | kg |
| 1/2 | 15 | 0.51 | 13 | 6.50 | 165 | 6.50 | 165 | 6.46 | 164 | 3.86 | 98 | | | 5.91 | 150 | 8.82 | 4 |
| 3/4 | 20 | 0.75 | 19 | 7.52 | 191 | 7.52 | 191 | 7.52 | 191 | 4.53 | 115 | | | 7.09 | 180 | 13.23 | 6 |
| 1 | 25 | 0.98 | 25 | 8.50 | 216 | 8.50 | 216 | 8.50 | 216 | 4.74 | 120.5 | | | 10.43 | 265 | 24.25 | 11 |
| 1-1/2 | 40 | 1.50 | 38 | 9.49 | 241 | 9.49 | 241 | 9.49 | 241 | 6.26 | 159 | | | 11.81 | 300 | 55.11 | 25 |
| 2 | 50 | 2.01 | 51 | 11.50 | 292 | 11.50 | 292 | 11.61 | 295 | 11.34 | 288 | 11.81 | 300 | | | 110.23 | 50 |
| 3 | 80 | 2.99 | 76 | 14.02 | 356 | 14.02 | 356 | 14.13 | 359 | 11.89 | 302 | 15.75 | 400 | | | 121.25 | 55 |
| 4 | 100 | 4.02 | 102 | 17.01 | 432 | 17.01 | 432 | 17.13 | 435 | 12.60 | 320 | 23.62 | 600 | | | 414.46 | 188 |

Class 600

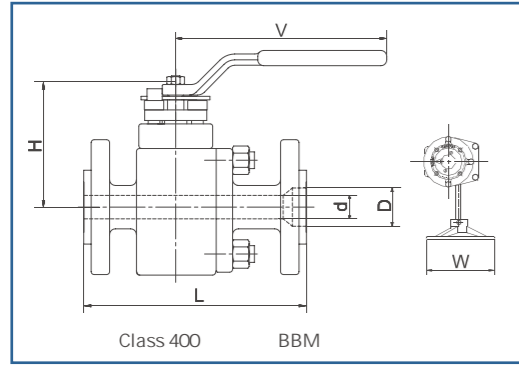
| | | D | | d | | L | | | | H | | W | | V | | | | | |
|-------|-----|------|-----|------|----|-------|-----|-------|-----|-------|-----|-------|-------|-------|-----|-------|-----|--------|-----|
| | | | | | | RF | | BW | | RTJ | | | | | | | | | |
| in | mm | in | mm | in | mm | in | mm | in | mm | in | mm | in | mm | in | mm | lb | kg | | |
| 1/2 | 15 | 0.51 | 13 | 0.28 | 7 | 6.50 | 165 | 6.50 | 165 | 6.46 | 164 | 3.23 | 82 | | | 5.91 | 150 | 6.61 | 3 |
| 3/4 | 20 | 0.75 | 19 | 0.51 | 13 | 7.52 | 191 | 7.52 | 191 | 7.52 | 191 | 3.86 | 98 | | | 5.91 | 150 | 11.02 | 5 |
| 1 | 25 | 0.98 | 25 | 0.75 | 19 | 8.50 | 216 | 8.50 | 216 | 8.50 | 216 | 4.53 | 115 | | | 7.09 | 180 | 19.84 | 9 |
| 1-1/2 | 40 | 1.50 | 38 | 0.98 | 25 | 9.49 | 241 | 5.55 | 241 | 9.49 | 241 | 4.74 | 120.5 | | | 10.43 | 265 | 48.50 | 22 |
| 2 | 50 | 2.01 | 51 | 1.50 | 38 | 11.50 | 292 | 7.56 | 292 | 11.50 | 292 | 6.26 | 159 | | | 11.81 | 300 | 55.11 | 25 |
| 3 | 80 | 2.99 | 76 | 2.01 | 51 | 14.02 | 356 | 14.02 | 356 | 14.13 | 359 | 11.34 | 288 | 11.81 | 300 | | | 112.43 | 51 |
| 4 | 100 | 4.02 | 102 | 2.99 | 76 | 17.01 | 432 | 17.01 | 432 | 17.13 | 435 | 11.89 | 302 | 15.75 | 400 | | | 399.03 | 181 |

Class 900

| | | D | | d | | L | | | | H | | W | | V | | | |
|-------|----|------|----|-------|-----|-------|-----|-------|-----|-------|-------|-------|-----|-------|-----|--------|----|
| | | | | | | RF | | BW | | RTJ | | | | | | | |
| in | mm | in | mm | in | mm | in | mm | in | mm | in | mm | in | mm | in | mm | lb | kg |
| 1/2 | 15 | 0.51 | 13 | 8.50 | 216 | 8.50 | 216 | 8.50 | 216 | 4.41 | 112 | | | 7.09 | 180 | 22.05 | 10 |
| 3/4 | 20 | 0.75 | 19 | 9.02 | 229 | 9.02 | 229 | 9.02 | 229 | 4.75 | 120.5 | | | 10.43 | 265 | 28.66 | 13 |
| 1 | 25 | 0.98 | 25 | 10.00 | 254 | 10.00 | 254 | 10.00 | 254 | 6.24 | 158.5 | | | 11.81 | 300 | 33.07 | 15 |
| 1-1/2 | 40 | 1.50 | 38 | 12.01 | 305 | 12.01 | 305 | 12.01 | 305 | 7.48 | 190 | | | 15.75 | 400 | 105.82 | 48 |
| 2 | 50 | 2.01 | 51 | 14.49 | 368 | 14.49 | 368 | 14.61 | 371 | 11.42 | 290 | 15.75 | 400 | | | 158.73 | 72 |

Class 900

| | | D | | d | | L | | | | H | | W | | V | | | | | |
|-------|----|------|----|------|----|-------|-----|-------|-----|-------|-----|------|-------|----|----|-------|-----|-------|----|
| | | | | | | RF | | BW | | RTJ | | | | | | | | | |
| in | mm | in | mm | in | mm | in | mm | in | mm | in | mm | in | mm | in | mm | lb | kg | | |
| 1/2 | 15 | 0.51 | 13 | 0.28 | 7 | 8.50 | 216 | 8.50 | 216 | 8.50 | 216 | 4.17 | 106 | | | 6.50 | 165 | 17.64 | 8 |
| 3/4 | 20 | 0.75 | 19 | 0.51 | 13 | 9.02 | 229 | 9.02 | 229 | 9.02 | 229 | 4.41 | 112 | | | 7.09 | 180 | 19.84 | 9 |
| 1 | 25 | 0.98 | 25 | 0.75 | 19 | 10.00 | 254 | 10.00 | 254 | 10.00 | 254 | 4.74 | 120.5 | | | 10.43 | 265 | 26.46 | 12 |
| 1-1/2 | 40 | 1.50 | 38 | 0.98 | 25 | 12.01 | 305 | 12.01 | 305 | 12.01 | 305 | 6.24 | 158.5 | | | 11.81 | 300 | 30.86 | 14 |
| 2 | 50 | 2.01 | 51 | 1.50 | 38 | 14.49 | 368 | 14.49 | 368 | 14.61 | 371 | 7.49 | 190 | | | 15.75 | 400 | 99.21 | 45 |



Class 1500

| | | D | | L | | | | | | H | | W | | V | | | |
|-------|----|------|----|-------|-----|-------|-----|-------|-----|-------|-------|-------|-----|-------|-----|--------|----|
| | | | | RF | | BW | | RTJ | | | | | | | | | |
| in | mm | in | mm | in | mm | in | mm | in | mm | in | mm | in | mm | in | mm | lb | kg |
| 1/2 | 15 | 0.51 | 13 | 8.50 | 216 | 8.50 | 216 | 8.50 | 216 | 4.41 | 112 | | | 7.09 | 180 | 22.05 | 10 |
| 3/4 | 20 | 0.75 | 19 | 9.02 | 229 | 9.02 | 229 | 9.02 | 229 | 4.25 | 120.5 | | | 10.43 | 265 | 28.66 | 13 |
| 1 | 25 | 0.98 | 25 | 10.00 | 254 | 10.00 | 254 | 10.00 | 254 | 6.24 | 158.5 | | | 11.81 | 300 | 33.07 | 15 |
| 1-1/2 | 40 | 1.50 | 38 | 12.01 | 305 | 12.01 | 305 | 12.01 | 305 | 7.49 | 190 | | | 15.75 | 400 | 105.82 | 48 |
| 2 | 50 | 2.01 | 51 | 14.49 | 368 | 14.49 | 368 | 14.61 | 371 | 11.42 | 290 | 15.75 | 400 | | | 158.73 | 72 |

Class 1500

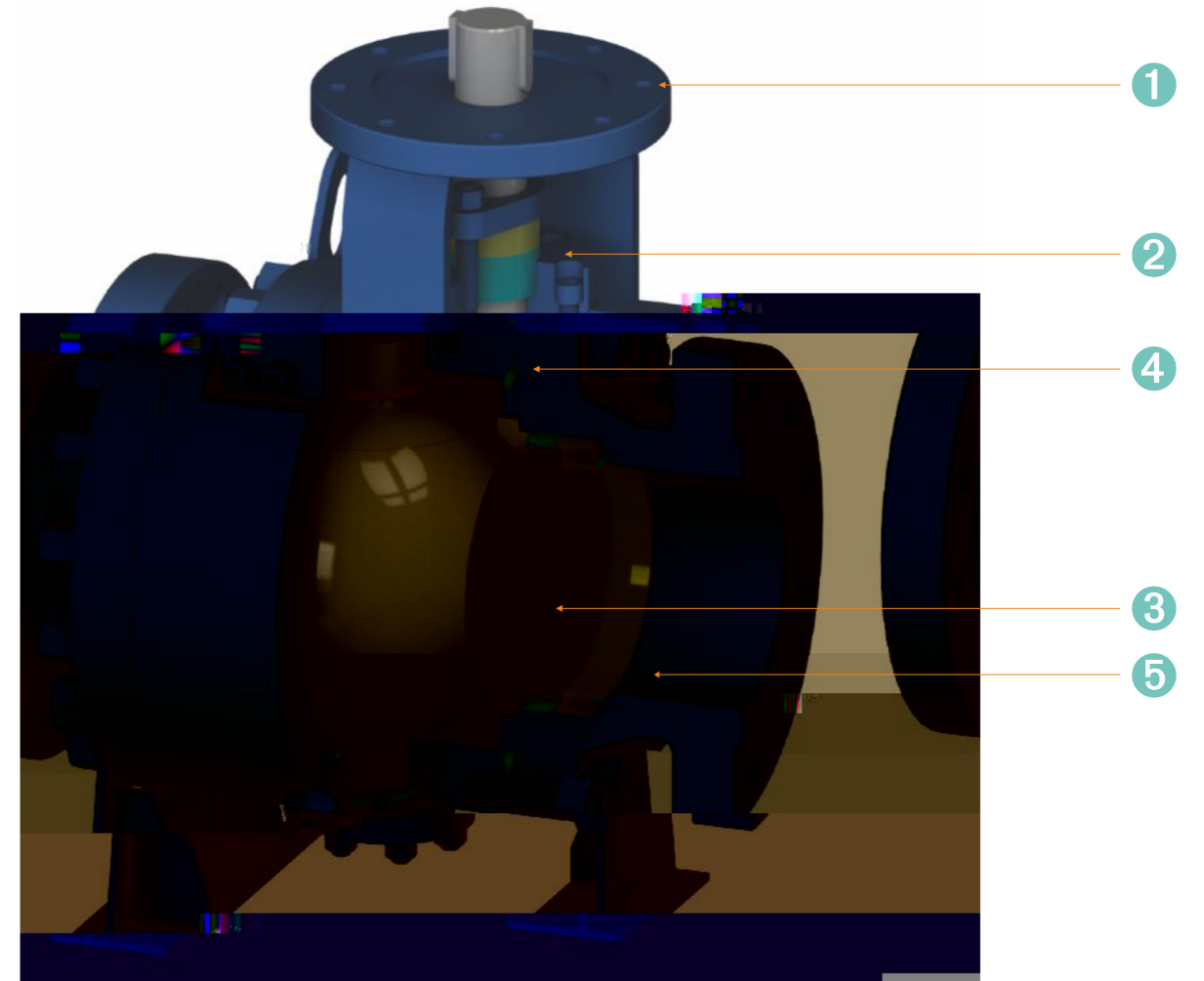
| | | D | | d | | L | | | | | | H | | W | | V | | | |
|---------|-------|------|----|------|----|-------|-----|-------|-----|-------|-----|------|-------|----|----|-------|-----|-------|----|
| | | | | | | RF | | BW | | RTJ | | | | | | | | | |
| in | mm | in | mm | in | mm | in | mm | in | mm | in | mm | in | mm | in | mm | in | mm | lb | kg |
| 1/2*3/8 | 15*10 | 0.51 | 13 | 0.28 | 7 | 8.50 | 216 | 8.50 | 216 | 8.50 | 216 | 4.17 | 106 | | | 6.50 | 165 | 17.64 | 8 |
| 3/4*1/2 | 20*15 | 0.75 | 19 | 0.51 | 13 | 9.02 | 229 | 9.02 | 229 | 9.02 | 229 | 4.41 | 112 | | | 7.09 | 180 | 19.84 | 9 |
| 1*3/4 | 25*20 | 0.98 | 25 | 0.75 | 19 | 10.00 | 254 | 10.00 | 254 | 10.00 | 254 | 4.74 | 120.5 | | | 10.43 | 265 | 26.46 | 12 |
| 1-1/2*1 | 40*25 | 1.50 | 38 | 0.98 | 25 | 12.01 | 305 | 12.01 | 305 | 12.01 | 305 | 6.24 | 158.5 | | | 11.81 | 300 | 30.86 | 14 |
| 2*1-1/2 | 50*40 | 2.01 | 51 | 1.50 | 38 | 14.49 | 368 | 14.49 | 368 | 14.61 | 371 | 7.48 | 190 | | | 15.75 | 400 | 99.21 | 45 |

Class 2500

| | | D | | L | | | | | | H | | W | | V | | | |
|-------|----|------|----|-------|-----|-------|-----|-------|-----|-------|-----|-------|-----|-------|-----|--------|----|
| | | | | RF | | BW | | RTJ | | | | | | | | | |
| in | mm | in | mm | in | mm | in | mm | in | mm | in | mm | in | mm | in | mm | lb | kg |
| 1/2 | 15 | 0.51 | 13 | 10.39 | 264 | 10.39 | 264 | 10.39 | 264 | 4.53 | 115 | | | 7.09 | 180 | 26.46 | 12 |
| 3/4 | 20 | 0.75 | 19 | 10.75 | 273 | 10.75 | 273 | 10.75 | 273 | 4.65 | 118 | | | 10.43 | 265 | 35.27 | 16 |
| 1 | 25 | 0.98 | 25 | 12.13 | 308 | 12.13 | 308 | 12.13 | 308 | 6.97 | 177 | | | 11.81 | 300 | 41.89 | 19 |
| 1-1/2 | 40 | 1.50 | 38 | 14.49 | 368 | 14.49 | 368 | 14.49 | 368 | 8.03 | 204 | | | 15.75 | 400 | 108.02 | 49 |
| 2 | 50 | 1.65 | 42 | 17.76 | 451 | 17.76 | 451 | 17.87 | 454 | 11.73 | 298 | 15.75 | 400 | | | 169.75 | 77 |

Class 2500

| | | D | | d | | L | | | | | | H | | W | | V | | | |
|---------|-------|------|----|------|----|-------|-----|-------|-----|-------|-----|------|-----|----|----|-------|-----|--------|------|
| | | | | | | RF | | BW | | RTJ | | | | | | | | | |
| in | mm | in | mm | in | mm | in | mm | in | mm | in | mm | in | mm | in | mm | in | mm | lb | kg |
| 1/2*3/8 | 15*10 | 0.51 | 13 | 0.28 | 7 | 10.39 | 264 | 10.39 | 264 | 10.39 | 264 | 3.70 | 94 | | | 6.30 | 160 | 19.84 | 9 |
| 3/4*1/2 | 20*15 | 0.75 | 19 | 0.51 | 13 | 10.75 | 273 | 10.75 | 273 | 10.75 | 273 | 4.53 | 115 | | | 7.09 | 180 | 26.46 | 12 |
| 1*3/4 | 25*20 | 0.98 | 25 | 0.75 | 19 | 12.13 | 308 | 12.13 | 308 | 12.13 | 308 | 4.65 | 118 | | | 10.43 | 265 | 34.17 | 15.5 |
| 1-1/2*1 | 40*25 | 1.50 | 38 | 0.98 | 25 | 14.49 | 368 | 14.49 | 368 | 14.49 | 368 | 6.97 | 177 | | | 11.81 | 300 | 92.59 | 42 |
| 2*1-1/2 | 50*40 | 1.65 | 42 | 1.50 | 38 | 17.76 | 451 | 17.76 | 451 | 17.87 | 454 | 8.03 | 204 | | | 15.75 | 400 | 152.12 | 69 |



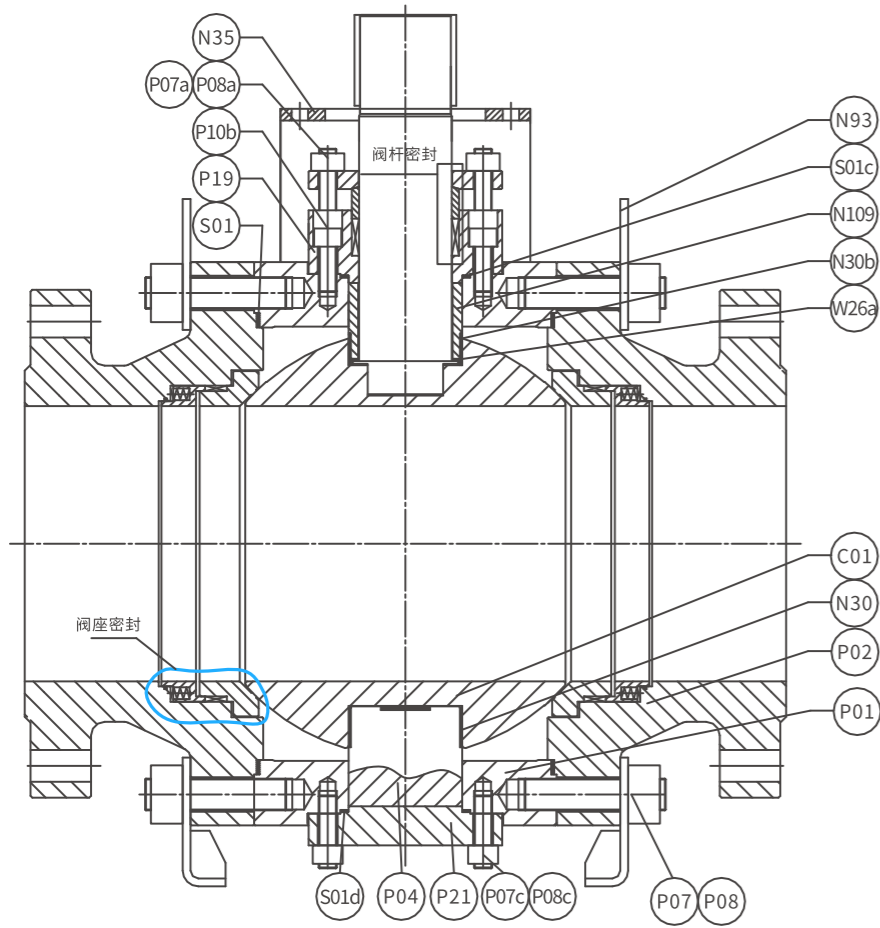
1 ISO 5211

2

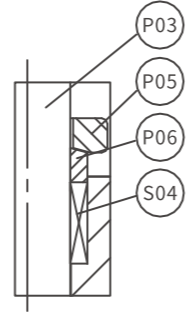
3

4

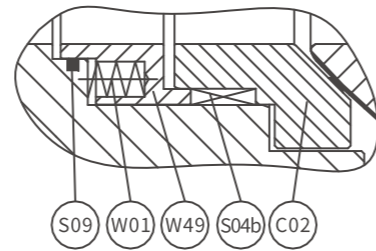
5



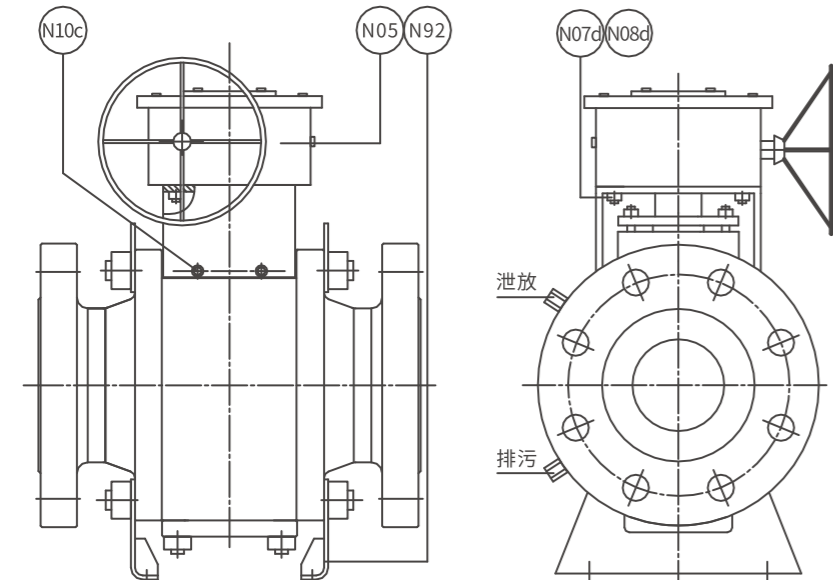
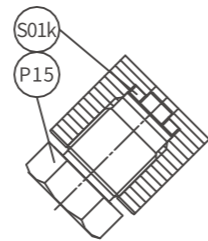
阀杆密封



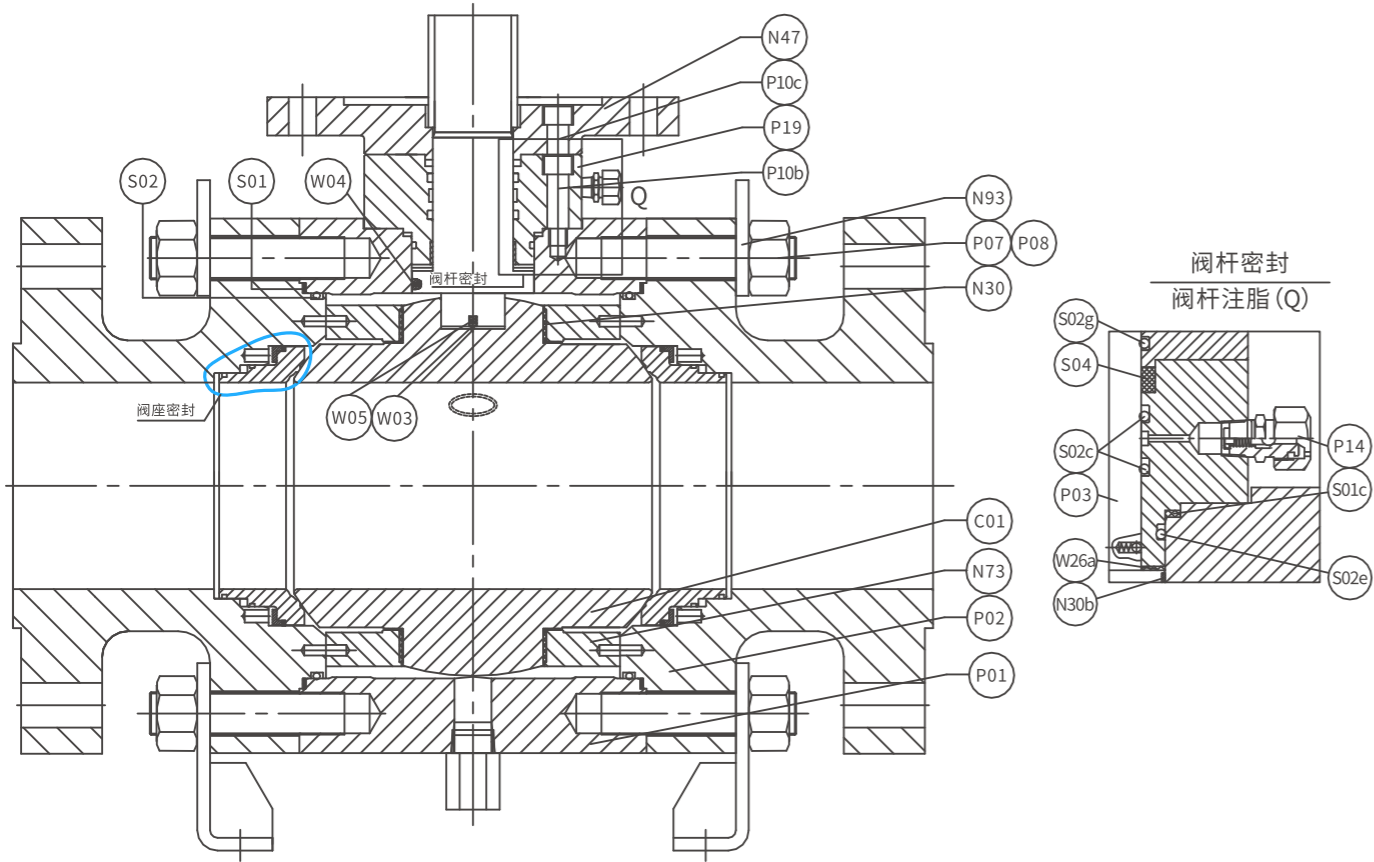
阀座密封



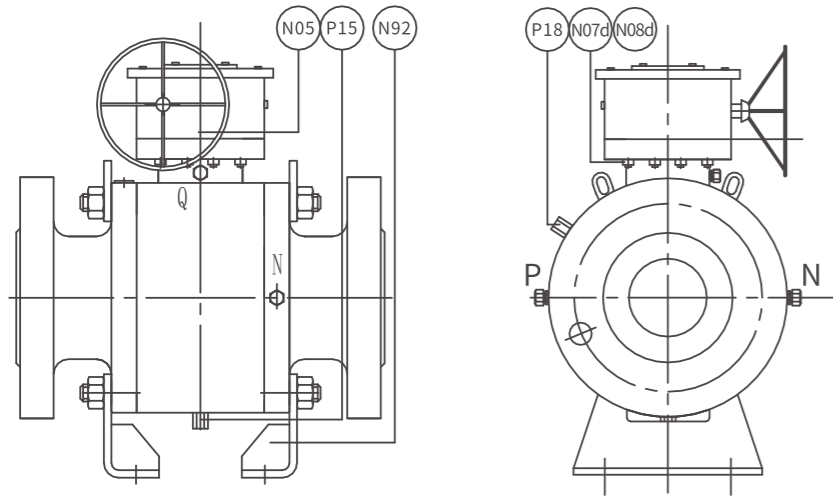
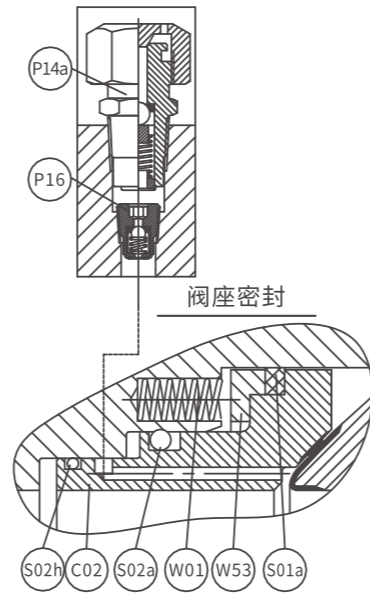
排污/泄放



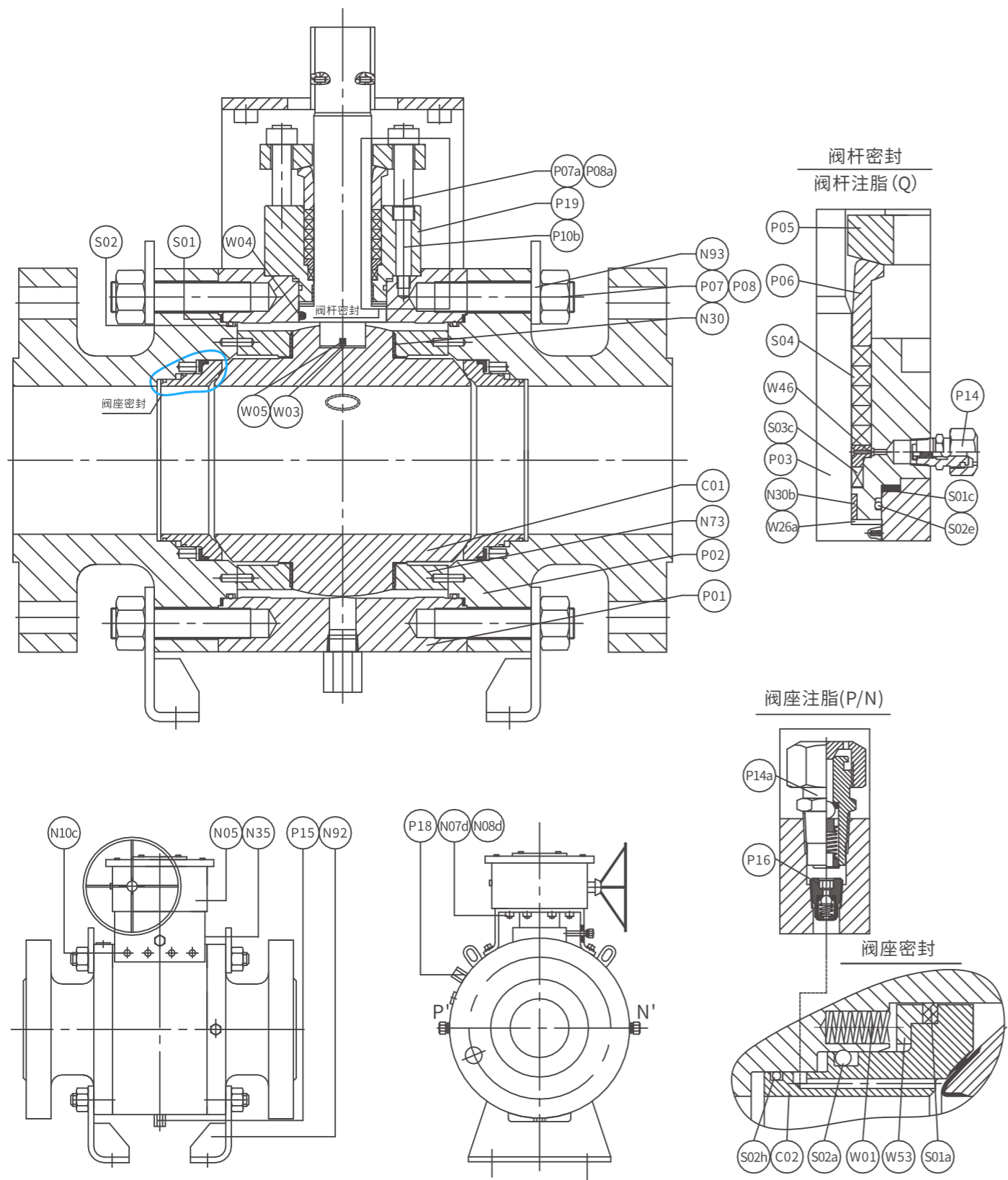
| | | |
|------|------------------------------|------------------------------|
| P01 | ASTM A105N | ASTM A182 F316 |
| P02 | ASTM A105N | ASTM A182 F316 |
| P03 | ASTM A705 630 | ASTM A182 F51 |
| P04 | ASTM A705 630 | ASTM A182 F51 |
| P05 | ASTM A216 WCB | ASTM A351 CF8M |
| P06 | ASTM A276 316/316L | ASTM A276 316/316L |
| P07 | ASTM A193 B7M | ASTM A193 B8M Cl2 |
| P07a | ASTM A193 B7M | ASTM A193 B8M Cl2 |
| P07c | ASTM A193 B7M | ASTM A193 B8M Cl2 |
| P08 | ASTM A194 2HM | ASTM A194 8M |
| P08a | ASTM A194 2HM | ASTM A194 8M |
| P08c | ASTM A194 2HM | ASTM A194 8M |
| P10b | ASTM A193 B7M | ASTM A193 B8M Cl2 |
| P15 | ASTM A182 F316/F316L | ASTM A182 F316/F316L |
| P19 | ASTM A105N | ASTM A182 F316/F316L |
| P21 | ASTM A105N | ASTM A182 F316/F316L |
| C01 | ASTM A182 F316/F316L+WC | ASTM A182 F316/F316L+WC |
| C02 | ASTM A182 F316/F316L+WC | ASTM A182 F316/F316L+WC |
| S01 | 316L+ | 316L+ |
| S01c | 316L+ | 316L+ |
| S01d | 316L+ | 316L+ |
| S01k | 316L+ | 316L+ |
| S04 | | |
| S04b | | |
| S09 | | |
| W01 | ASTM B637 UNS N07750 | ASTM B637 UNS N07750 |
| W49 | ASTM A182 F316/F316L | ASTM A182 F316/F316L |
| W26a | ASTM A240 316/316L+NITRIDING | ASTM A240 316/316L+NITRIDING |
| N05 | | |
| N07d | ISO 898 8.8 | ISO 3506 A2-70 |
| N08d | ISO 898 8 | ISO 3506 A2-70 |
| N10c | ISO 898 8.8 | ISO 3506 A2-70 |
| N30 | ASTM A240 316/316L+NITRIDING | ASTM A240 316/316L+NITRIDING |
| N30b | ASTM A240 316/316L+NITRIDING | ASTM A240 316/316L+NITRIDING |
| N35 | ASTM A572 Gr50 | ASTM A572 Gr50 |
| N93 | ASTM A572 Gr50 | ASTM A572 Gr50 |
| N92 | ASTM A572 Gr50 | ASTM A572 Gr50 |
| N109 | ASTM A705 630 | ASTM A182 F51 |



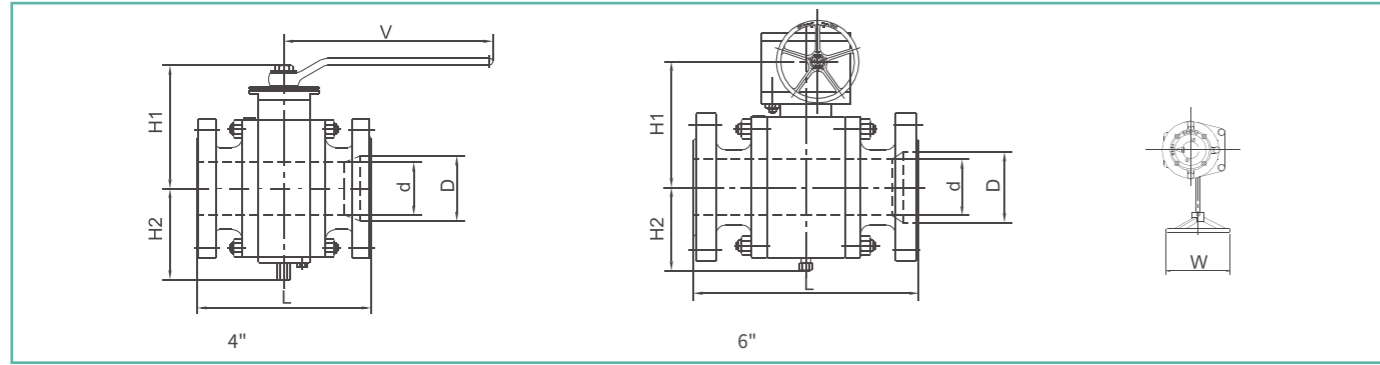
阀座注脂(P/N)



| | | | |
|------|---|------------------------|------------------------|
| P01 | | ASTMA105N | ASTMA182 F316 |
| P02 | | ASTMA105N | ASTMA182 F316 |
| P03 | | ASTMA705 630 | ASTMA182 F51 |
| P07 | | ASTMA193 B7M | ASTMA193 B8M Cl2 |
| P08 | | ASTMA194 2HM | ASTMA194 8M |
| P10b | | ASTMA193 B7M | ASTMA193 B8M Cl2 |
| P10c | | ASTMA193 B7M | ASTMA193 B8M Cl2 |
| P14 | | ASTMA182 F316/F316L | ASTMA182 F316/F316L |
| P14a | | ASTMA182 F316/F316L | ASTMA182 F316/F316L |
| P15 | | ASTMA182 F316/F316L | ASTMA182 F316/F316L |
| P16 | | ASTMA182 F316/F316L | ASTMA182 F316/F316L |
| P18 | | ASTMA182 F316/F316L | ASTMA182 F316/F316L |
| P19 | | ASTMA105N | ASTMA182 F316/F316L |
| C01 | | ASTMA182 F316/F316L+WC | ASTMA182 F316/F316L+WC |
| C02 | | ASTMA182 F316/F316L+WC | ASTMA182 F316/F316L+WC |
| S01 | | 316L+ | 316L+ |
| S01a | | 316L+ | 316L+ |
| S01c | | 316L+ | 316L+ |
| S02 | O | FKM | FKM |
| S02a | O | FKM | FKM |
| S02c | O | FKM | FKM |
| S02e | O | FKM | FKM |
| S02g | O | FKM | FKM |
| S02h | O | FKM | FKM |
| S04 | | | |
| W01 | | ASTM B637 UNS N07750 | ASTM B637 UNS N07750 |
| W03 | | ASTM A276 316 | ASTM A276 316 |
| W04 | | ASTM A276 316 | ASTM A276 316 |
| W05 | | ATSM A313 316 | ATSM A313 316 |
| W26a | | RPTFE | RPTFE |
| W53 | | ASTMA182 F316/F316L | ASTMA182 F316/F316L |
| N05 | | | |
| N07d | | ISO 898 8.8 | ISO 3506 A2-70 |
| N08d | | ISO 898 8 | ISO 3506 A2-70 |
| N30 | | 316L+PTFE | 316L+PTFE |
| N30b | | 316L+PTFE | 316L+PTFE |
| N47 | | ASTMA105N | ASTMA182 F316/F316L |
| N73 | | ASTMA572 Gr50 | ASTMA240 316/316L |
| N92 | | ASTMA572 Gr50 | ASTMA572 Gr50 |
| N93 | | ASTMA572 Gr50 | ASTMA572 Gr50 |



| | | | |
|------|---------|-------------------------|-------------------------|
| P01 | | ASTMA105N | ASTMA182 F316 |
| P02 | | ASTMA105N | ASTMA182 F316 |
| P03 | | ASTMA705 630 | ASTM A182 F51 |
| P05 | | ASTM A216 WCB | ASTM A351 CF8M |
| P06 | | ASTM A276 316/316L | ASTM A276 316/316L |
| P07 | | ASTM A193 B7M | ASTM A193 B8M Cl2 |
| P08 | | ASTM A194 2HM | ASTM A194 8M |
| P07a | | ASTM A193 B7M | ASTM A193 B8M Cl2 |
| P08a | | ASTM A194 2HM | ASTM A194 8M |
| P10b | | ASTM A193 B7M | ASTM A193 B8M Cl2 |
| P14 | | ASTM A182 F316/F316L | ASTM A182 F316/F316L |
| P14a | | ASTM A182 F316/F316L | ASTM A182 F316/F316L |
| P15 | | ASTM A182 F316/F316L | ASTM A182 F316/F316L |
| P16 | | ASTM A182 F316/F316L | ASTM A182 F316/F316L |
| P18 | | ASTM A182 F316/F316L | ASTM A182 F316/F316L |
| P19 | | ASTM A105N | ASTM A182 F316/F316L |
| C01 | | ASTM A182 F316/F316L+WC | ASTM A182 F316/F316L+WC |
| C02 | | ASTM A182 F316/F316L+WC | ASTM A182 F316/F316L+WC |
| S01 | | 316L+ | 316L+ |
| S01a | | 316L+ | 316L+ |
| S01c | | 316L+ | 316L+ |
| S02 | O | FKM | FKM |
| S02a | O | FKM | FKM |
| S02e | O | FKM | FKM |
| S02h | O | FKM | FKM |
| S03c | LIPSEAL | PTFE+ELGILOY | PTFE+ELGILOY |
| S04 | | | |
| W01 | | ASTM B637 UNS N07750 | ASTM B637 UNS N07750 |
| W03 | | ASTM A276 316 | ASTM A276 316 |
| W04 | | ASTM A276 316 | ASTM A276 316 |
| W05 | | ATSM A313 316 | ATSM A313 316 |
| W26a | | RPTFE | RPTFE |
| W46 | | ASTM A276 316/316L | ASTM A276 316/316L |
| W53 | | ASTM A182 F316/F316L | ASTM A182 F316/F316L |
| N05 | | | |
| N07d | | ISO 898 8.8 | ISO 3506 A2-70 |
| N08d | | ISO 898 8 | ISO 3506 A2-70 |
| N10c | | ISO 898 8.8 | ISO 3506 A2-70 |
| N30 | | 316L+PTFE | 316L+PTFE |
| N30b | | 316L+PTFE | 316L+PTFE |
| N35 | | ASTM A572 Gr50 | ASTM A572 Gr50 |
| N73 | | ASTM A572 Gr50 | ASTM A240 316/316L |
| N92 | | ASTM A572 Gr50 | ASTM A572 Gr50 |
| N93 | | ASTM A572 Gr50 | ASTM A572 Gr50 |

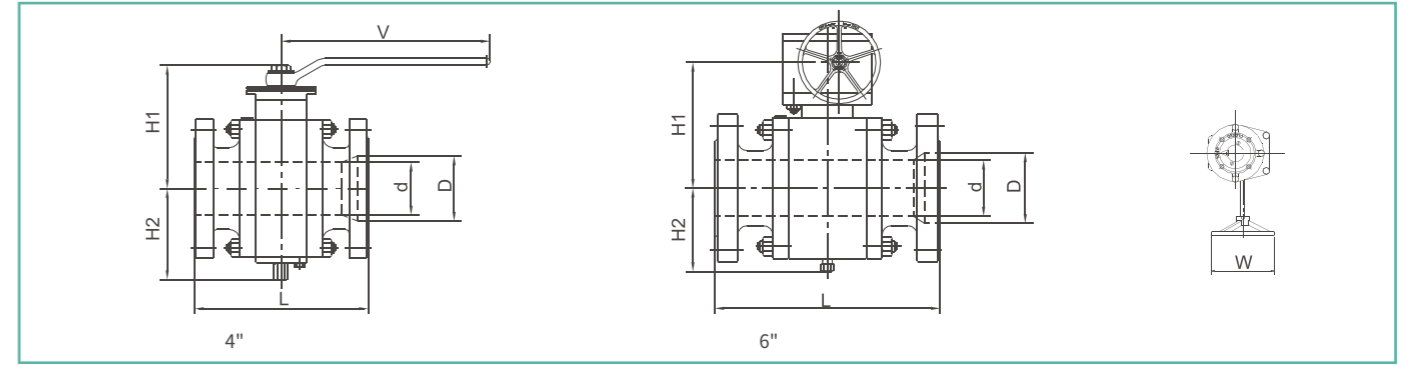


Class 150

| | | D | | L | | | | H1 | | H2 | | W | | V | | | |
|----|------|-------|-----|-------|------|-------|------|-------|------|-------|------|----|----|-------|-----|-------|-------|
| | | | | RF | | BW | | | | | | | | | | | |
| in | mm | in | mm | in | mm | in | mm | in | mm | in | mm | in | mm | in | mm | lb | kg |
| 2 | 50 | 1.93 | 49 | 7.01 | 178 | 8.50 | 216 | 4.25 | 108 | 3.54 | 90 | | | 11.22 | 285 | 40 | 18 |
| 3 | 80 | 2.91 | 74 | 7.99 | 203 | 11.14 | 283 | 11.02 | 280 | 4.33 | 110 | | | | | 66 | 30 |
| 4 | 100 | 3.94 | 100 | 9.02 | 229 | 12.01 | 305 | 11.61 | 295 | 5.51 | 140 | | | | | 229 | 104 |
| 6 | 150 | 5.91 | 150 | 15.51 | 394 | 17.99 | 457 | 14.41 | 366 | 6.89 | 175 | | | | | 430 | 195 |
| 8 | 200 | 7.91 | 201 | 17.99 | 457 | 20.51 | 521 | 20.16 | 512 | 7.48 | 190 | | | | | 866 | 393 |
| 10 | 250 | 9.92 | 252 | 20.98 | 533 | 22.01 | 559 | 23.23 | 590 | 9.06 | 230 | | | | | 1113 | 505 |
| 12 | 300 | 11.93 | 303 | 24.02 | 610 | 25.00 | 635 | 26.22 | 666 | 11.61 | 295 | | | | | 1598 | 725 |
| 14 | 350 | 13.15 | 334 | 27.01 | 686 | 30.00 | 762 | 29.92 | 760 | 14.17 | 360 | | | | | 1984 | 900 |
| 16 | 400 | 15.16 | 385 | 30.00 | 762 | 32.99 | 838 | 32.68 | 830 | 16.73 | 425 | | | | | 2756 | 1250 |
| 18 | 450 | 17.17 | 436 | 34.02 | 864 | 35.98 | 914 | 36.22 | 920 | 18.50 | 470 | | | | | 4134 | 1875 |
| 20 | 500 | 19.17 | 487 | 35.98 | 914 | 39.02 | 991 | 39.49 | 1003 | 20.87 | 530 | | | | | 5181 | 2350 |
| 22 | 550 | 21.18 | 538 | 39.02 | 991 | 39.02 | 991 | 41.65 | 1058 | 23.43 | 595 | | | | | 6834 | 3100 |
| 24 | 600 | 23.19 | 589 | 42.01 | 1067 | 45.00 | 1143 | 43.90 | 1115 | 25.98 | 660 | | | | | 8609 | 3905 |
| 28 | 700 | 26.93 | 684 | 49.02 | 1245 | 52.99 | 1346 | 46.06 | 1170 | 28.54 | 725 | | | | | 12743 | 5780 |
| 30 | 750 | 28.94 | 735 | 50.98 | 1295 | 55.00 | 1397 | 48.23 | 1225 | 31.69 | 805 | | | | | 17163 | 7785 |
| 32 | 800 | 30.67 | 779 | 54.02 | 1372 | 60.00 | 1524 | 50.79 | 1290 | 34.53 | 877 | | | | | 20205 | 9165 |
| 34 | 850 | 32.68 | 830 | 57.99 | 1473 | 64.02 | 1626 | 53.15 | 1350 | 36.46 | 926 | | | | | 23810 | 10800 |
| 36 | 900 | 34.41 | 874 | 60.00 | 1524 | 67.99 | 1727 | 55.12 | 1400 | 38.39 | 975 | | | | | 28704 | 13020 |
| 40 | 1000 | 38.43 | 976 | 67.99 | 1727 | 67.99 | 1727 | 67.72 | 1720 | 40.16 | 1020 | | | | | 39793 | 18050 |

Class 150

| | | D | | d | | L | | | | H1 | | H2 | | W | | V | | | | | |
|---------|----------|-------|-----|-------|-----|-------|------|-------|------|-------|------|-------|-----|-------|-----|----|----|-------|-----|-------|-------|
| | | | | | | RF | | BW | | | | | | | | | | | | | |
| in | mm | in | mm | in | mm | in | mm | in | mm | in | mm | in | mm | in | mm | in | mm | lb | kg | | |
| 2*1-1/2 | 50*40 | 1.93 | 49 | 1.50 | 38 | 7.01 | 178 | 8.50 | 216 | 4.13 | 105 | 2.95 | 75 | | | | | 13.78 | 350 | 33 | 15 |
| 3*2 | 80*50 | 2.91 | 74 | 1.93 | 49 | 7.99 | 203 | 11.14 | 283 | 4.25 | 108 | 3.54 | 90 | | | | | 11.22 | 285 | 55 | 25 |
| 4*3 | 100*80 | 3.94 | 100 | 2.91 | 74 | 9.02 | 229 | 12.01 | 305 | 11.02 | 280 | 4.33 | 110 | 11.81 | 300 | | | | | 190 | 86 |
| 6*4 | 150*100 | 5.91 | 150 | 3.94 | 100 | 15.51 | 394 | 17.99 | 457 | 11.61 | 295 | 5.51 | 140 | 11.81 | 300 | | | | | 276 | 125 |
| 8*6 | 200*150 | 7.91 | 201 | 5.91 | 150 | 17.99 | 457 | 20.51 | 521 | 14.41 | 366 | 6.89 | 175 | 19.69 | 500 | | | | | 518 | 235 |
| 10*8 | 250*200 | 9.92 | 252 | 7.91 | 201 | 20.98 | 533 | 22.01 | 559 | 20.16 | 512 | 7.48 | 190 | 23.62 | 600 | | | | | 1005 | 456 |
| 12*10 | 300*250 | 11.93 | 303 | 9.92 | 252 | 24.02 | 610 | 25.00 | 635 | 23.23 | 590 | 9.06 | 230 | 23.62 | 600 | | | | | 1323 | 600 |
| 14*12 | 350*300 | 13.15 | 334 | 11.93 | 303 | 27.01 | 686 | 30.00 | 762 | 26.22 | 666 | 11.61 | 295 | 27.56 | 700 | | | | | 1786 | 810 |
| 16*14 | 400*350 | 15.16 | 385 | 13.15 | 334 | 30.00 | 762 | 32.99 | 838 | 29.92 | 760 | 14.17 | 360 | 27.56 | 700 | | | | | 2238 | 1015 |
| 18*16 | 450*400 | 17.17 | 436 | 15.16 | 385 | 34.02 | 864 | 35.98 | 914 | 32.68 | 830 | 16.73 | 425 | 29.92 | 760 | | | | | 2976 | 1350 |
| 20*18 | 500*450 | 19.17 | 487 | 17.17 | 436 | 35.98 | 914 | 39.02 | 991 | 36.22 | 920 | 18.50 | 470 | 29.92 | 760 | | | | | 4378 | 1986 |
| 22*20 | 550*500 | 21.18 | 538 | 19.17 | 487 | 39.02 | 991 | 39.02 | 991 | 39.49 | 1003 | 20.87 | 530 | 29.92 | 760 | | | | | 6173 | 2800 |
| 24*20 | 600*500 | 23.19 | 589 | 19.17 | 487 | 42.01 | 1067 | 45.00 | 1143 | 41.65 | 1058 | 23.43 | 595 | 29.92 | 760 | | | | | 7857 | 3564 |
| 28*24 | 700*600 | 26.93 | 684 | 23.19 | 589 | 49.02 | 1245 | 52.99 | 1346 | 43.90 | 1115 | 25.98 | 660 | 29.92 | 760 | | | | | 9535 | 4325 |
| 30*28 | 750*700 | 28.94 | 735 | 26.93 | 684 | 50.98 | 1295 | 55.00 | 1397 | 46.06 | 1170 | 28.54 | 725 | 29.92 | 760 | | | | | 14237 | 6458 |
| 32*30 | 800*750 | 30.67 | 779 | 28.94 | 735 | 54.02 | 1372 | 60.00 | 1524 | 48.23 | 1225 | 31.69 | 805 | 29.92 | 760 | | | | | 18569 | 8423 |
| 34*32 | 850*800 | 32.68 | 830 | 30.67 | 779 | 57.99 | 1473 | 64.02 | 1626 | 50.79 | 1290 | 34.53 | 877 | 31.50 | 800 | | | | | 21715 | 9850 |
| 36*32 | 900*800 | 34.41 | 874 | 30.67 | 779 | 60.00 | 1524 | 67.99 | 1727 | 53.15 | 1350 | 36.46 | 926 | 31.50 | 800 | | | | | 26786 | 12150 |
| 40*36 | 1000*900 | 38.43 | 976 | 34.41 | 874 | 73.03 | 1855 | 82.01 | 2083 | 57.48 | 1460 | 38.82 | 986 | 35.43 | 900 | | | | | 31415 | 14250 |

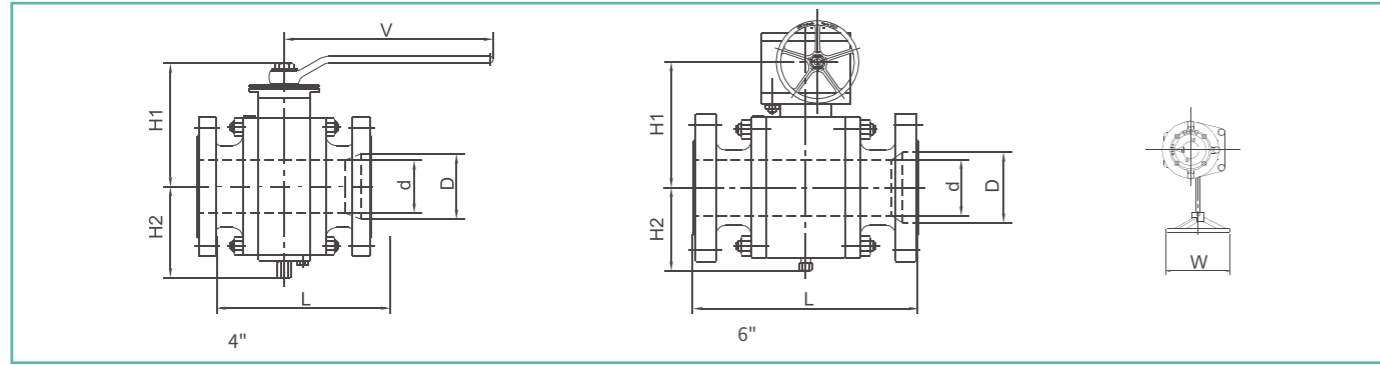


Class 300

| | | D | | L | | | | H1 | | H2 | | W | | V | | | |
|----|------|-------|-----|-------|------|-------|------|-------|-------|-------|------|----|----|-------|-----|-------|-------|
| | | | | RF | | BW | | | | | | | | | | | |
| in | mm | in | mm | in | mm | in | mm | in | mm | in | mm | in | mm | in | mm | lb | kg |
| 2 | 50 | 1.93 | 49 | 8.50 | 216 | 8.50 | 216 | 4.23 | 107.5 | 3.54 | 90 | | | 11.22 | 285 | 51 | 23 |
| 3 | 80 | 2.91 | 74 | 11.14 | 283 | 11.14 | 283 | 11.02 | 280 | 4.33 | 110 | | | | | 77 | 35 |
| 4 | 100 | 3.94 | 100 | 12.01 | 305 | 12.01 | 305 | 12.05 | 306 | 5.51 | 140 | | | | | 229 | 104 |
| 6 | 150 | 5.91 | 150 | 15.87 | 403 | 15.87 | 403 | 14.41 | 366 | 6.89 | 175 | | | | | 474 | 215 |
| 8 | 200 | 7.91 | 201 | 19.76 | 502 | 20.51 | 521 | 21.69 | 551 | 7.48 | 190 | | | | | 853 | 387 |
| 10 | 250 | 9.92 | 252 | 22.36 | 568 | 22.01 | 559 | 24.57 | 624 | 9.84 | 250 | | | | | 1411 | 640 |
| 12 | 300 | 11.93 | 303 | 25.51 | 648 | 25.00 | 635 | 27.60 | 701 | 12.44 | 316 | | | | | 1900 | 862 |
| 14 | 350 | 13.15 | 334 | 30.00 | 762 | 30.00 | 762 | 30.94 | 786 | 15.67 | 398 | | | | | 2976 | 1350 |
| 16 | 400 | 15.16 | 385 | 32.99 | 838 | 32.99 | 838 | 33.46 | 850 | 19.29 | 490 | | | | | 3439 | 1560 |
| 18 | 450 | 17.17 | 436 | 35.98 | 914 | 35.98 | 914 | 35.83 | 910 | 19.69 | 500 | | | | | 4643 | 2106 |
| 20 | 500 | 19.17 | 487 | 39.02 | 991 | 39.02 | 991 | 37.01 | 940 | 20.87 | 530 | | | | | 6173 | 2800 |
| 22 | 550 | 21.18 | 538 | 42.99 | 1092 | 42.99 | 1092 | 39.84 | 1012 | 23.11 | 587 | | | | | 7500 | 3402 |
| 24 | 600 | 23.19 | 589 | 45.00 | 1143 | 45.00 | 1143 | 42.52 | 1080 | 25.00 | 635 | | | | | 9259 | 4200 |
| 28 | 700 | 26.93 | 684 | 52.99 | 1346 | 52.99 | 1346 | 49.21 | 1250 | 31.10 | 790 | | | | | 13889 | 6300 |
| 30 | 750 | 28.94 | 735 | 55.00 | 1397 | 55.00 | 1397 | 51.97 | 1320 | 33.70 | 856 | | | | | 18827 | 8540 |
| 32 | 800 | 30.67 | 779 | 60.00 | 1524 | 60.00 | 1524 | 55.12 | 1400 | 36.22 | 920 | | | | | 22343 | 10135 |
| 34 | 850 | 32.68 | 830 | 64.02 | 1626 | 64.02 | 1626 | 59.69 | 1516 | 37.20 | 945 | | | | | 24802 | 11250 |
| 36 | 900 | 34.41 | 874 | 67.99 | 1727 | 67.99 | 1727 | 64.06 | 1627 | 38.78 | 985 | | | | | 31305 | 14200 |
| 40 | 1000 | 38.43 | 976 | 75.98 | 1930 | 75.98 | 1930 | 67.91 | 1725 | 40.47 | 1028 | | | | | 42989 | 19500 |

Class 300

| | | D | | d | | L | | | | H1 | | H2 | | W | | V | | | | | |
|---------|---------|-------|-----|-------|-----|-------|-----|-------|-----|-------|-------|-------|-----|-------|-----|-------|-----|----|----|------|-----|
| | | | | | | RF | | BW | | | | | | | | | | | | | |
| in | mm | in | mm | in | mm | in | mm | in | mm | in | mm | in | mm | in | mm | in | mm | lb | kg | | |
| 2*1-1/2 | 50*40 | 1.93 | 49 | 1.50 | 38 | 8.50 | 216 | 8.50 | 216 | 4.13 | 105 | 2.95 | 75 | | | 9.84 | 250 | 42 | 19 | | |
| 3*2 | 80*50 | 2.91 | 74 | 1.93 | 49 | 11.14 | 283 | 11.14 | 283 | 4.23 | 107.5 | 3.54 | 90 | | | 11.22 | 285 | 68 | 31 | | |
| 4*3 | 100*80 | 3.94 | 100 | 2.91 | 74 | 12.01 | 305 | 12.01 | 305 | 11.02 | 280 | 4.33 | 110 | 11.81 | 300 | | | | | 190 | 86 |
| 6*4 | 150*100 | 5.91 | 150 | 3.94 | 100 | 15.87 | 403 | 15.87 | 403 | 12.05 | 306 | 5.51 | 140 | 19.69 | 500 | | | | | 357 | 162 |
| 8*6 | 200*150 | 7.91 | 201 | 5.91 | 150 | 19.76 | 502 | 20.51 | 521 | 14.41 | 366 | 6.89 | 175 | 19.69 | 500 | | | | | 584 | 265 |
| 10*8 | 250*200 | 9.92 | 252 | 7.91 | 201 | 22.36 | 568 | 22.01 | 559 | 21.69 | 551 | 7.48 | 190 | 27.56 | 700 | | | | | 939 | 426 |
| 12*10 | 300*250 | 11.93 | 303 | 9.92 | 252 | 25.51 | 648 | 25.00 | 635 | 24.57 | 624 | 9.84 | 250 | 27.56 | 700 | | | | | 1499 | 680 |
| 14*12 | 350*300 | 13.15 | 334 | 11.93 | 303 | 30.00 | 762 | 30.00 | 762 | 27.60 | 701 | 12.44 | 316 | 29.92 | 760 | | | | | 2017 | 915 |
| 16*14 | 400*350 | 15.16 | | | | | | | | | | | | | | | | | | | |

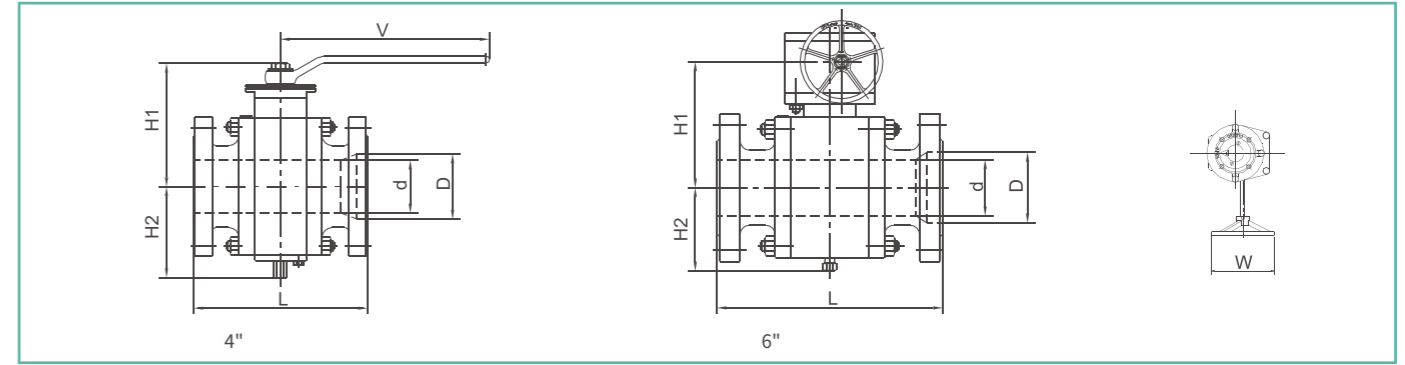


Class 400

| | | D | | L | | | | | | H1 | | H2 | | W | | V | | | |
|----|------|-------|-----|-------|------|-------|------|-------|------|-------|------|-------|-----|-------|------|----|----|-------|-------|
| | | | | RF | | BW | | RTJ | | | | | | | | | | | |
| in | mm | in | mm | in | mm | in | mm | in | mm | in | mm | in | mm | in | mm | in | mm | lb | kg |
| 2 | 50 | 1.93 | 49 | 11.50 | 292 | 11.50 | 292 | 11.61 | 295 | 10.43 | 265 | 6.42 | 163 | 15.75 | 400 | | | 106 | 48 |
| 3 | 80 | 2.91 | 74 | 14.02 | 356 | 14.13 | 359 | 10.83 | 275 | 7.05 | 179 | 15.75 | 400 | | | | | 198 | 90 |
| 4 | 100 | 3.94 | 100 | 15.98 | 406 | 15.98 | 406 | 17.13 | 435 | 12.40 | 315 | 8.62 | 219 | 23.62 | 600 | | | 276 | 125 |
| 6 | 150 | 5.91 | 150 | 19.49 | 495 | 19.49 | 495 | 19.61 | 498 | 22.05 | 560 | 8.19 | 208 | 23.62 | 600 | | | 816 | 370 |
| 8 | 200 | 7.91 | 201 | 23.50 | 597 | 23.50 | 597 | 23.62 | 600 | 27.17 | 690 | 9.65 | 245 | 23.62 | 600 | | | 1499 | 680 |
| 10 | 250 | 9.92 | 252 | 26.50 | 673 | 26.50 | 673 | 26.61 | 676 | 24.92 | 633 | 12.05 | 306 | 23.62 | 600 | | | 2271 | 1030 |
| 12 | 300 | 11.93 | 303 | 30.00 | 762 | 30.00 | 762 | 30.12 | 765 | 26.18 | 665 | 13.74 | 349 | 29.92 | 760 | | | 2976 | 1350 |
| 14 | 350 | 13.15 | 334 | 32.52 | 826 | 32.52 | 826 | 32.64 | 829 | 24.37 | 619 | 15.75 | 400 | 27.56 | 700 | | | 4078 | 1850 |
| 16 | 400 | 15.16 | 385 | 35.51 | 902 | 35.51 | 902 | 35.63 | 905 | 29.06 | 738 | 17.72 | 450 | 29.92 | 760 | | | 4740 | 2150 |
| 18 | 450 | 17.17 | 436 | 38.50 | 978 | 38.50 | 978 | 38.62 | 981 | 30.83 | 783 | 19.76 | 502 | 35.43 | 900 | | | 6250 | 2835 |
| 20 | 500 | 19.17 | 487 | 41.50 | 1054 | 41.50 | 1054 | 41.73 | 1060 | 33.39 | 848 | 22.28 | 566 | 35.43 | 900 | | | 8025 | 3640 |
| 22 | 550 | 21.18 | 538 | 45.00 | 1143 | 45.00 | 1143 | 45.39 | 1153 | 37.56 | 954 | 23.31 | 592 | 39.37 | 1000 | | | 11728 | 5320 |
| 24 | 600 | 23.19 | 589 | 48.50 | 1232 | 48.50 | 1232 | 48.86 | 1241 | 40.04 | 1017 | 25.63 | 651 | 39.37 | 1000 | | | 15829 | 7180 |
| 28 | 700 | 26.93 | 684 | 55.00 | 1397 | 55.00 | 1397 | 55.51 | 1410 | 41.65 | 1058 | 27.83 | 707 | 39.37 | 1000 | | | 21032 | 9540 |
| 30 | 750 | 28.94 | 735 | 60.00 | 1524 | 60.00 | 1524 | 60.51 | 1537 | 44.69 | 1135 | 29.53 | 750 | 39.37 | 1000 | | | 23192 | 10520 |
| 32 | 800 | 30.67 | 779 | 65.00 | 1651 | 65.00 | 1651 | 65.63 | 1667 | 48.70 | 1237 | 30.94 | 786 | 43.54 | 1106 | | | 24802 | 11250 |
| 34 | 850 | 32.68 | 830 | 70.00 | 1778 | 70.00 | 1778 | 70.63 | 1794 | 51.34 | 1304 | 32.52 | 826 | 43.54 | 1106 | | | 28307 | 12840 |
| 36 | 900 | 34.41 | 874 | 74.02 | 1880 | 74.02 | 1880 | 73.82 | 1875 | 56.81 | 1443 | 35.51 | 902 | 43.54 | 1106 | | | 32518 | 14750 |
| 40 | 1000 | 38.43 | 976 | 85.43 | 2170 | 85.43 | 2170 | 85.43 | 2170 | 60.43 | 1535 | 38.86 | 987 | 43.54 | 1106 | | | 41226 | 18700 |

Class 400

| | | D | | d | | L | | | | | | H1 | | H2 | | W | | V | | | |
|---------|----------|-------|-----|-------|-----|-------|------|-------|------|-------|------|-------|------|-------|-----|-------|------|----|----|-------|-------|
| | | | | | | RF | | BW | | RTJ | | | | | | | | | | | |
| in | mm | in | mm | in | mm | in | mm | in | mm | in | mm | in | mm | in | mm | in | mm | in | mm | lb | kg |
| 2"1-1/2 | 50*40 | 1.93 | 49 | 1.50 | 38 | 11.50 | 292 | 11.50 | 292 | 11.61 | 295 | 8.11 | 206 | 5.71 | 145 | 15.75 | 400 | | | 88 | 40 |
| 3"2 | 80*50 | 2.91 | 74 | 1.93 | 49 | 14.02 | 356 | 14.02 | 356 | 14.13 | 359 | 10.43 | 265 | 6.42 | 163 | 15.75 | 400 | | | 168 | 76 |
| 4"3 | 100*80 | 3.94 | 100 | 2.91 | 74 | 15.98 | 406 | 15.98 | 406 | 17.13 | 435 | 10.83 | 275 | 7.05 | 179 | 15.75 | 400 | | | 231 | 105 |
| 6"4 | 150*100 | 5.91 | 150 | 3.94 | 100 | 19.49 | 495 | 19.49 | 495 | 19.61 | 498 | 12.40 | 315 | 8.62 | 219 | 23.62 | 600 | | | 617 | 280 |
| 8"6 | 200*150 | 7.91 | 201 | 5.91 | 150 | 23.50 | 597 | 23.50 | 597 | 23.62 | 600 | 22.05 | 560 | 8.19 | 208 | 23.62 | 600 | | | 1235 | 560 |
| 10"8 | 250*200 | 9.92 | 252 | 7.91 | 201 | 26.50 | 673 | 26.50 | 673 | 26.61 | 676 | 27.17 | 690 | 9.65 | 245 | 23.62 | 600 | | | 1653 | 750 |
| 12"10 | 300*250 | 11.93 | 303 | 9.92 | 252 | 30.00 | 762 | 30.00 | 762 | 30.12 | 765 | 24.92 | 633 | 12.05 | 306 | 23.62 | 600 | | | 2315 | 1050 |
| 14"12 | 350*300 | 13.15 | 334 | 11.93 | 303 | 32.52 | 826 | 32.52 | 826 | 32.64 | 829 | 26.18 | 665 | 13.74 | 349 | 29.92 | 760 | | | 3483 | 1580 |
| 16"14 | 400*350 | 15.16 | 385 | 13.15 | 334 | 35.51 | 902 | 35.51 | 902 | 35.63 | 905 | 24.37 | 619 | 15.75 | 400 | 27.56 | 700 | | | 4431 | 2010 |
| 18"16 | 450*400 | 17.17 | 436 | 15.16 | 385 | 38.50 | 978 | 38.50 | 978 | 38.62 | 981 | 29.06 | 738 | 17.72 | 450 | 29.92 | 760 | | | 5401 | 2450 |
| 20"18 | 500*450 | 19.17 | 487 | 17.17 | 436 | 41.50 | 1054 | 41.50 | 1054 | 41.73 | 1060 | 30.83 | 783 | 19.76 | 502 | 35.43 | 900 | | | 6702 | 3040 |
| 22"20 | 550*500 | 21.18 | 538 | 19.17 | 487 | 45.00 | 1143 | 45.00 | 1143 | 45.39 | 1153 | 33.39 | 848 | 22.28 | 566 | 35.43 | 900 | | | 10053 | 4580 |
| 24"20 | 600*500 | 23.19 | 589 | 19.17 | 487 | 48.50 | 1232 | 48.50 | 1232 | 48.86 | 1241 | 37.56 | 954 | 23.31 | 592 | 39.37 | 1000 | | | 13999 | 6350 |
| 28"24 | 700*600 | 26.93 | 684 | 23.19 | 589 | 55.00 | 1397 | 55.00 | 1397 | 55.51 | 1410 | 40.04 | 1017 | 25.63 | 651 | 39.37 | 1000 | | | 17670 | 8015 |
| 30"28 | 750*700 | 28.94 | 735 | 26.93 | 684 | 60.00 | 1524 | 60.00 | 1524 | 60.51 | 1537 | 41.65 | 1058 | 27.83 | 707 | 39.37 | 1000 | | | 22156 | 10050 |
| 32"30 | 800*750 | 30.67 | 779 | 28.94 | 735 | 65.00 | 1651 | 65.00 | 1651 | 65.63 | 1667 | 44.69 | 1135 | 29.53 | 750 | 39.37 | 1000 | | | 22222 | 10080 |
| 34"32 | 850*800 | 32.68 | 830 | 30.67 | 779 | 70.00 | 1778 | 70.00 | 1778 | 70.63 | 1794 | 48.70 | 1237 | 30.94 | 786 | 43.54 | 1106 | | | 24295 | 11020 |
| 36"32 | 900*800 | 34.41 | 874 | 30.67 | 779 | 74.02 | 1880 | 74.02 | 1880 | 73.82 | 1875 | 51.34 | 1304 | 32.52 | 826 | 43.54 | 1106 | | | 27337 | 12400 |
| 40"36 | 1000*900 | 38.43 | 976 | 34.41 | 874 | 85.43 | 2170 | 85.43 | 2170 | 85.43 | 2170 | 56.81 | 1443 | 35.51 | 902 | 43.54 | 1106 | | | 36486 | 16550 |

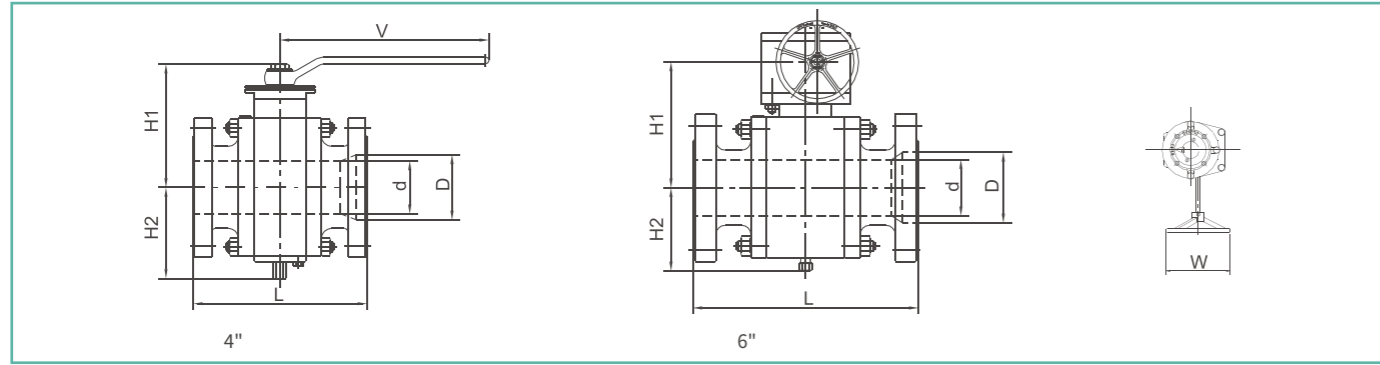


Class 600

| | | D | | L | | | | | | H1 | | H2 | | W | | V | | | |
|----|------|-------|-----|-------|------|-------|------|-------|------|-------|------|-------|-----|-------|------|----|----|-------|-------|
| | | | | RF | | BW | | RTJ | | | | | | | | | | | |
| in | mm | in | mm | in | mm | in | mm | in | mm | in | mm | in | mm | in | mm | in | mm | lb | kg |
| 2 | 50 | 1.93 | 49 | 11.50 | 292 | 11.50 | 292 | 11.61 | 295 | 10.43 | 265 | 6.42 | 163 | 15.75 | 400 | | | 106 | 48 |
| 3 | 80 | 2.91 | 74 | 14.02 | 356 | 14.02 | 356 | 14.13 | 359 | 10.83 | 275 | 7.05 | 179 | 15.75 | 400 | | | 198 | 90 |
| 4 | 100 | 3.94 | 100 | 17.01 | 432 | 17.01 | 432 | 17.13 | 435 | 12.40 | 315 | 8.62 | 219 | 23.62 | 600 | | | 331 | 150 |
| 6 | 150 | 5.91 | 150 | 22.01 | 559 | 22.01 | 559 | 22.13 | 562 | 22.05 | 560 | 8.19 | 208 | 23.62 | 600 | | | 970 | 440 |
| 8 | 200 | 7.91 | 201 | 25.98 | 660 | 25.98 | 660 | 26.14 | 664 | 27.17 | 690 | 9.65 | 245 | 23.62 | 600 | | | 1786 | 810 |
| 10 | 250 | 9.92 | 252 | 30.98 | 787 | 30.98 | 787 | 31.14 | 791 | 24.92 | 633 | 12.05 | 306 | 23.62 | 600 | | | 2723 | 1235 |
| 12 | 300 | 11.93 | 303 | 32.99 | 838 | 32.99 | 838 | 33.11 | 841 | 26.18 | 665 | 13.74 | 349 | 29.92 | 760 | | | 3571 | 1620 |
| 14 | 350 | 13.15 | 334 | 35.00 | 889 | 35.00 | 889 | 35.12 | 892 | 24.37 | 619 | 15.75 | 400 | 29.92 | 760 | | | 4486 | 2035 |
| 16 | 400 | 15.16 | 385 | 39.02 | 991 | 39.02 | 991 | 39.17 | 995 | 29.06 | 738 | 17.72 | 450 | 29.92 | 760 | | | 5688 | 2580 |
| 18 | 450 | 17.17 | 436 | 42.99 | 1092 | 42.99 | 1092 | 43.11 | 1095 | 30.83 | 783 | 19.76 | 502 | 35.43 | 900 | | | 7496 | 3400 |
| 20 | 500 | 19.17 | 487 | 47.01 | 1194 | 47.01 | 1194 | 47.24 | 1200 | 33.39 | 848 | 22.28 | 566 | 35.43 | 900 | | | 9612 | 4360 |
| 22 | 550 | 21.18 | 538 | 50.98 | 1295 | 50.98 | 1295 | 51.38 | 1305 | 37.56 | 954 | 23.31 | 592 | 39.37 | 1000 | | | 14065 | 6380 |
| 24 | 600 | 23.19 | 589 | 55.00 | 1397 | 55.00 | 1397 | 55.39 | 1407 | 40.04 | 1017 | 25.63 | 651 | 39.37 | 1000 | | | 18959 | 8600 |
| 28 | 700 | 26.93 | 684 | 60.98 | 1549 | 60.98 | 1549 | 61.50 | 1562 | 41.65 | 1058 | 27.83 | 707 | 39.37 | 1000 | | | 25000 | 11340 |
| 30 | 750 | 28.94 | 735 | 65.00 | 1651 | 65.00 | 1651 | 65.51 | 1664 | 44.69 | 1135 | 29.53 | 750 | 39.37 | 1000 | | | 27822 | 12620 |
| 32 | 800 | 30.67 | 779 | 70.00 | 1778 | 70.00 | 1778 | 70.63 | 1794 | 48.70 | 1237 | 30.94 | 786 | 43.54 | 1106 | | | 29762 | 13500 |
| 34 | 850 | 32.68 | 830 | 75.98 | 1930 | 75.98 | 1930 | 76.61 | 1946 | 51.34 | 1304 | 32.52 | 826 | 43.54 | 1106 | | | 33951 | 15400 |
| 36 | 900 | 34.41 | 874 | 82.01 | 2083 | 82.01 | 2083 | 82.56 | 2097 | 56.81 | 1443 | 35.51 | 902 | 43.54 | 1106 | | | 39021 | 17700 |
| 40 | 1000 | 38.43 | 976 | 85.43 | 2170 | 85.43 | 2170 | 85.43 | 2170 | 60.43 | 1535 | 38.86 | 987 | 43.54 | 1106 | | | 49383 | 22400 |

Class 600

| | | D | | d | | L | | | | | | H1 | | H2 | | W | | V | | | |
|---------|-------|----|----|----|----|----|----|----|----|-----|----|----|----|----|----|----|----|----|----|----|----|
| | | | | | | RF | | BW | | RTJ | | | | | | | | | | | |
| in | mm | in | mm | in | mm | in | mm | in | mm | in | mm | in | mm | in | mm | in | mm | in | mm | lb | kg |
| 2"1-1/2 | 50*40 | | | | | | | | | | | | | | | | | | | | |



Class 900

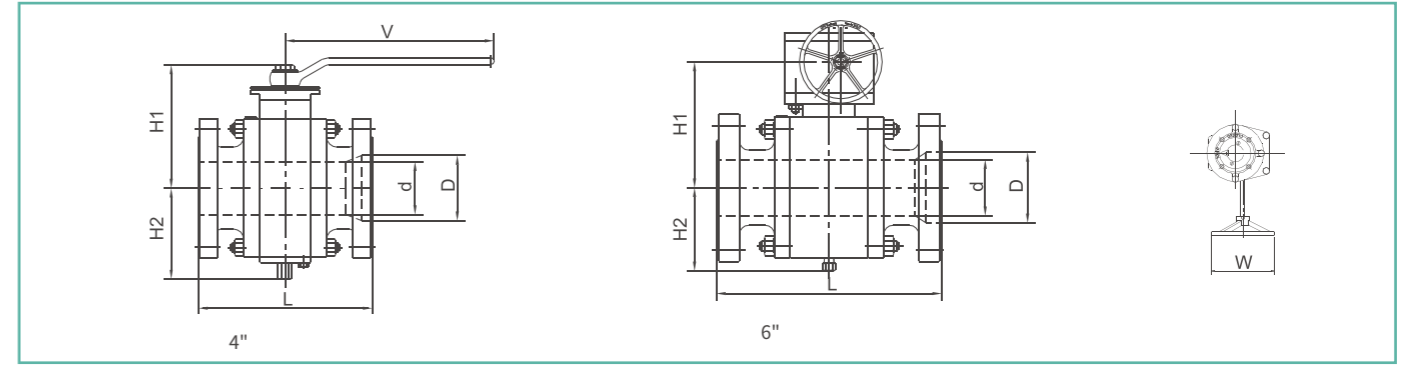
| D | | L | | | H1 | | H2 | | W | | V | | lb | kg | | | |
|----|-----|-------|-----|-------|------|-------|------|-------|------|-------|-----|-------|-----|-------|-----|-------|------|
| in | mm | RF | BW | RTJ | in | mm | in | mm | in | mm | in | mm | | | | | |
| 2 | 50 | 1.93 | 49 | 14.49 | 368 | 14.49 | 368 | 14.61 | 371 | 12.20 | 310 | 4.53 | 115 | 19.69 | 500 | 220 | 100 |
| 3 | 80 | 2.91 | 74 | 18.50 | 381 | 15.00 | 381 | 15.12 | 384 | 11.10 | 282 | 4.69 | 119 | 15.75 | 400 | 331 | 150 |
| 4 | 100 | 3.94 | 100 | 17.99 | 457 | 17.99 | 457 | 18.11 | 460 | 15.75 | 400 | 7.87 | 200 | 23.62 | 600 | 485 | 220 |
| 6 | 150 | 5.91 | 150 | 24.02 | 610 | 24.02 | 610 | 24.13 | 613 | 18.98 | 482 | 8.78 | 223 | 29.92 | 760 | 1168 | 530 |
| 8 | 200 | 7.91 | 201 | 29.02 | 737 | 29.02 | 737 | 29.13 | 740 | 19.76 | 502 | 12.87 | 327 | 29.92 | 760 | 1351 | 613 |
| 10 | 250 | 9.92 | 252 | 32.99 | 838 | 32.99 | 838 | 33.11 | 841 | 20.83 | 529 | 14.69 | 373 | 31.50 | 800 | 2394 | 1086 |
| 12 | 300 | 11.93 | 303 | 37.99 | 965 | 37.99 | 965 | 38.11 | 968 | 20.83 | 529 | 14.69 | 373 | 31.50 | 800 | 6085 | 2760 |
| 14 | 350 | 12.68 | 322 | 40.51 | 1029 | 40.51 | 1029 | 40.87 | 1038 | 20.83 | 529 | 14.69 | 373 | 31.50 | 800 | 6834 | 3100 |
| 16 | 400 | 14.69 | 373 | 44.49 | 1130 | 44.49 | 1130 | 44.88 | 1140 | 20.83 | 529 | 14.69 | 373 | 31.50 | 800 | 11376 | 5160 |
| 18 | 450 | 16.65 | 423 | 47.99 | 1219 | 47.99 | 1219 | 48.50 | 1232 | 20.83 | 529 | 14.69 | 373 | 31.50 | 800 | 16182 | 7340 |
| 20 | 500 | 18.54 | 471 | 52.01 | 1321 | 52.01 | 1321 | 52.52 | 1334 | 20.83 | 529 | 14.69 | 373 | 31.50 | 800 | 19892 | 9023 |

Class 900

| D | | L | | | H1 | | H2 | | W | | V | | lb | kg | | | | | |
|---------|---------|-------|-----|-------|-----|-------|------|-------|------|-------|------|-------|-----|-------|-----|-------|-----|-------|------|
| in | mm | RF | BW | RTJ | in | mm | in | mm | in | mm | in | mm | | | | | | | |
| 2"1-1/2 | 50*40 | 1.93 | 49 | 1.50 | 38 | 14.49 | 368 | 14.49 | 368 | 14.61 | 371 | 8.54 | 217 | 4.69 | 119 | 15.75 | 400 | 157 | 71 |
| 3*2 | 80*50 | 2.91 | 74 | 1.93 | 49 | 15.00 | 381 | 15.00 | 381 | 15.12 | 384 | 12.20 | 310 | 4.53 | 115 | 19.69 | 500 | 220 | 100 |
| 4*3 | 100*80 | 3.94 | 100 | 2.91 | 74 | 17.99 | 457 | 17.99 | 457 | 18.11 | 460 | 11.10 | 282 | 4.69 | 119 | 15.75 | 400 | 331 | 150 |
| 6*4 | 150*100 | 5.91 | 150 | 3.94 | 100 | 24.02 | 610 | 24.02 | 610 | 24.13 | 613 | 15.75 | 400 | 7.87 | 200 | 23.62 | 600 | 485 | 220 |
| 8*6 | 200*150 | 7.91 | 201 | 5.91 | 150 | 29.02 | 737 | 29.02 | 737 | 29.13 | 740 | 18.98 | 482 | 8.78 | 223 | 29.92 | 760 | 1168 | 530 |
| 10*8 | 250*200 | 9.92 | 252 | 7.91 | 201 | 32.99 | 838 | 32.99 | 838 | 33.11 | 841 | 19.76 | 502 | 12.87 | 327 | 29.92 | 760 | 1351 | 613 |
| 12*10 | 300*250 | 11.93 | 303 | 9.92 | 252 | 37.99 | 965 | 37.99 | 965 | 38.11 | 968 | 20.83 | 529 | 14.69 | 373 | 31.50 | 800 | 2394 | 1086 |
| 14*12 | 350*300 | 12.68 | 322 | 11.93 | 303 | 40.51 | 1029 | 40.51 | 1029 | 40.87 | 1038 | 20.83 | 529 | 14.69 | 373 | 31.50 | 800 | 6085 | 2760 |
| 16*14 | 400*350 | 14.69 | 373 | 12.68 | 322 | 44.49 | 1130 | 44.49 | 1130 | 44.88 | 1140 | 20.83 | 529 | 14.69 | 373 | 31.50 | 800 | 6834 | 3100 |
| 18*16 | 450*400 | 16.65 | 423 | 14.69 | 373 | 47.99 | 1219 | 47.99 | 1219 | 48.50 | 1232 | 20.83 | 529 | 14.69 | 373 | 31.50 | 800 | 11376 | 5160 |
| 20*18 | 500*450 | 18.54 | 471 | 16.65 | 423 | 52.01 | 1321 | 52.01 | 1321 | 52.52 | 1334 | 20.83 | 529 | 14.69 | 373 | 31.50 | 800 | 16182 | 7340 |

Class 1500

| D | | L | | | H1 | | H2 | | W | | V | | lb | kg | | | |
|----|-----|-------|-----|-------|------|-------|------|-------|------|-------|-----|-------|-----|-------|------|-------|------|
| in | mm | RF | BW | RTJ | in | mm | in | mm | in | mm | in | mm | | | | | |
| 2 | 50 | 1.93 | 49 | 14.49 | 368 | 14.49 | 368 | 14.61 | 371 | 12.20 | 310 | 4.92 | 125 | 19.69 | 500 | 271 | 123 |
| 3 | 80 | 2.91 | 74 | 18.50 | 470 | 18.50 | 470 | 18.62 | 473 | 14.17 | 360 | 6.69 | 170 | 23.62 | 600 | 516 | 234 |
| 4 | 100 | 3.94 | 100 | 21.50 | 546 | 21.50 | 546 | 21.61 | 549 | 16.93 | 430 | 7.09 | 180 | 23.62 | 600 | 902 | 409 |
| 6 | 150 | 5.67 | 144 | 27.76 | 705 | 27.76 | 705 | 27.99 | 711 | 21.46 | 545 | 12.28 | 312 | 29.92 | 760 | 1984 | 900 |
| 8 | 200 | 7.56 | 192 | 32.76 | 832 | 32.76 | 832 | 33.11 | 841 | 27.17 | 690 | 15.75 | 400 | 29.92 | 760 | 2873 | 1303 |
| 10 | 250 | 9.41 | 239 | 39.02 | 991 | 39.02 | 991 | 39.37 | 1000 | 29.13 | 740 | 19.13 | 486 | 29.92 | 760 | 5538 | 2512 |
| 12 | 300 | 11.30 | 287 | 44.49 | 1130 | 44.49 | 1130 | 45.12 | 1146 | 31.10 | 790 | 21.10 | 536 | 29.92 | 760 | 7275 | 3300 |
| 14 | 350 | 12.40 | 315 | 49.49 | 1257 | 49.49 | 1257 | 50.24 | 1276 | 33.58 | 853 | 23.27 | 591 | 35.43 | 900 | 8466 | 3840 |
| 16 | 400 | 14.17 | 360 | 54.49 | 1384 | 54.49 | 1384 | 55.39 | 1407 | 35.91 | 912 | 24.41 | 620 | 35.43 | 900 | 9524 | 4320 |
| 18 | 450 | 15.98 | 406 | 60.51 | 1537 | 60.51 | 1537 | 61.38 | 1559 | 37.40 | 950 | 26.97 | 685 | 39.37 | 1000 | 10935 | 4960 |
| 20 | 500 | 17.87 | 454 | 66.51 | 1664 | 66.51 | 1664 | 66.38 | 1686 | 38.58 | 980 | 27.56 | 700 | 39.37 | 1000 | 12125 | 5500 |



Class 1500

| D | | L | | | H1 | | H2 | | W | | V | | lb | kg | | | | | |
|---------|---------|-------|-----|-------|-----|-------|------|-------|------|-------|------|-------|-----|-------|-----|-------|------|-------|------|
| in | mm | RF | BW | RTJ | in | mm | in | mm | in | mm | in | mm | | | | | | | |
| 2"1-1/2 | 50*40 | 1.93 | 49 | 1.50 | 38 | 14.49 | 368 | 14.49 | 368 | 14.61 | 371 | 12.20 | 310 | 4.92 | 125 | 19.69 | 500 | 245 | 111 |
| 3*2 | 80*50 | 2.91 | 74 | 1.93 | 49 | 18.50 | 470 | 18.50 | 470 | 18.62 | 473 | 14.17 | 360 | 6.69 | 170 | 23.62 | 600 | 485 | 220 |
| 4*3 | 100*80 | 3.94 | 100 | 2.91 | 74 | 21.50 | 546 | 21.50 | 546 | 21.61 | 549 | 16.93 | 430 | 7.09 | 180 | 23.62 | 600 | 714 | 324 |
| 6*4 | 150*100 | 5.67 | 144 | 3.94 | 100 | 27.76 | 705 | 27.76 | 705 | 27.99 | 711 | 21.46 | 545 | 12.28 | 312 | 29.92 | 760 | 1814 | 823 |
| 8*6 | 200*150 | 7.56 | 192 | 5.67 | 144 | 32.76 | 832 | 32.76 | 832 | 33.11 | 841 | 27.17 | 690 | 15.75 | 400 | 29.92 | 760 | 2873 | 1303 |
| 10*8 | 250*200 | 9.41 | 239 | 7.56 | 192 | 39.02 | 991 | 39.02 | 991 | 39.37 | 1000 | 29.13 | 740 | 19.13 | 486 | 29.92 | 760 | 4630 | 2100 |
| 12*10 | 300*250 | 11.30 | 287 | 9.41 | 239 | 44.49 | 1130 | 44.49 | 1130 | 45.12 | 1146 | 31.10 | 790 | 21.10 | 536 | 29.92 | 760 | 6426 | 2915 |
| 14*12 | 350*300 | 12.40 | 315 | 11.30 | 287 | 49.49 | 1257 | 49.49 | 1257 | 50.24 | 1276 | 33.58 | 853 | 23.27 | 591 | 35.43 | 900 | 7551 | 3425 |
| 16*14 | 400*350 | 14.17 | 360 | 12.40 | 315 | 54.49 | 1384 | 54.49 | 1384 | 55.39 | 1407 | 35.91 | 912 | 24.41 | 620 | 35.43 | 900 | 8873 | 4025 |
| 18*16 | 450*400 | 15.98 | 406 | 14.17 | 360 | 60.51 | 1537 | 60.51 | 1537 | 61.38 | 1559 | 37.40 | 950 | 26.97 | 685 | 39.37 | 1000 | 10194 | 4624 |
| 20*18 | 500*450 | 17.87 | 454 | 15.98 | 406 | 65.51 | 1664 | 65.51 | 1664 | 66.38 | 1686 | 38.58 | 980 | 27.56 | 700 | 39.37 | 1000 | 11023 | 5000 |

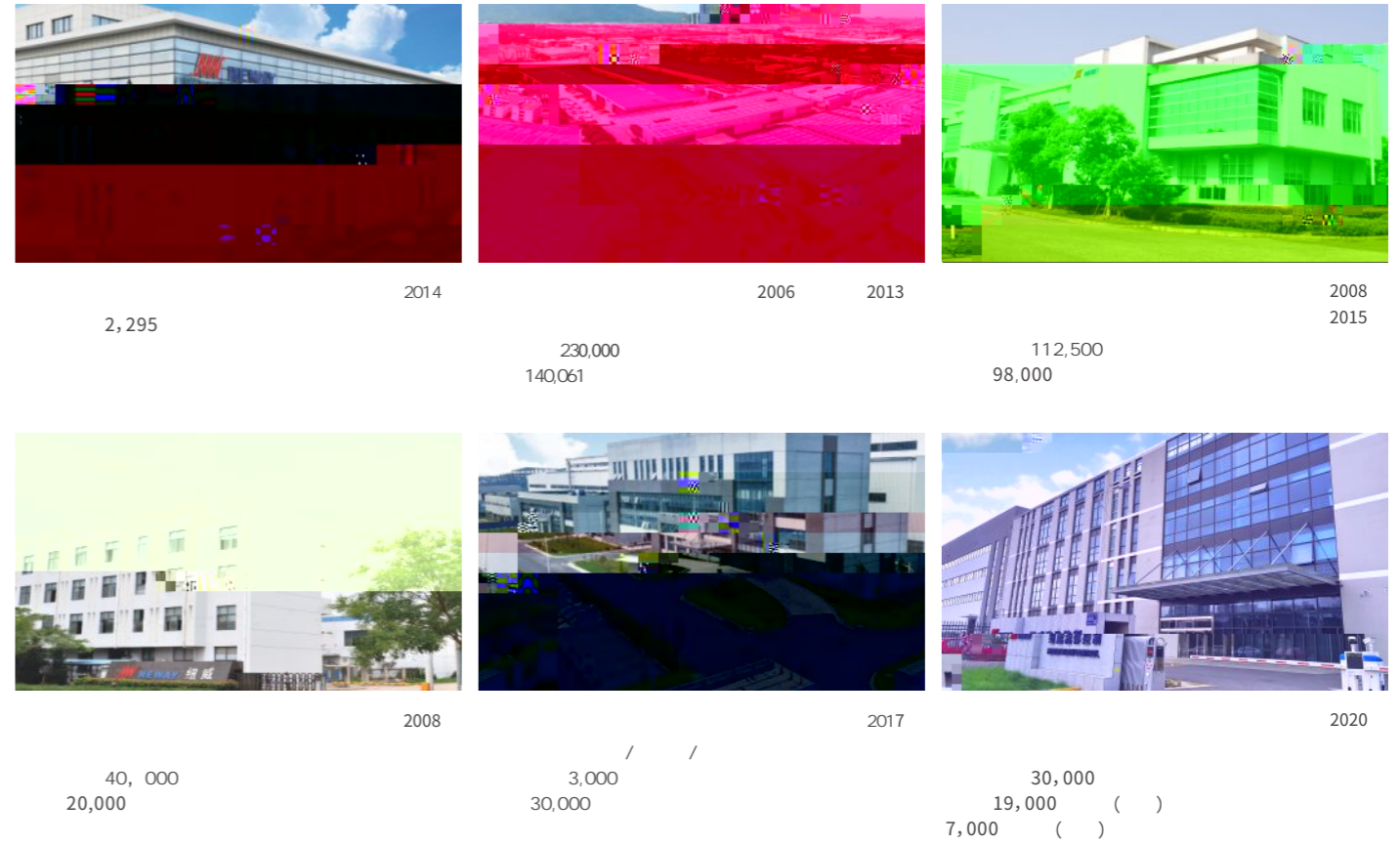
Class 2500

| D | | L | | | H1 | | H2 | | W | | V | | lb | kg | | | |
|----|-----|-------|-----|-------|------|-------|------|-------|------|-------|-------|-------|-----|-------|------|-------|------|
| in | mm | RF | BW | RTJ | in | mm | in | mm | in | mm | in | mm | | | | | |
| 2 | 50 | 1.65 | 42 | 17.76 | 451 | 17.76 | 451 | 17.87 | 454 | 13.88 | 352.5 | 6.30 | 160 | 19.69 | 500 | 503 | 228 |
| 3 | 80 | 2.44 | 62 | 22.76 | 578 | 22.76 | 578 | 22.99 | 584 | 14.65 | 372 | 7.09 | 180 | 23.62 | 600 | 836 | 379 |
| 4 | 100 | 3.43 | 87 | 26.50 | 673 | 26.50 | 673 | 26.89 | 683 | 19.45 | 494 | 8.27 | 210 | 23.62 | 600 | 1248 | 566 |
| 6 | 150 | 5.16 | 131 | 35.98 | 914 | 35.98 | 914 | 36.50 | 927 | 26.69 | 678 | 14.96 | 380 | 29.92 | 760 | 2403 | 1090 |
| 8 | 200 | 7.05 | 179 | 40.24 | 1022 | 40.24 | 1022 | 40.87 | 1038 | 35.04 | 890 | 19.29 | 490 | 29.92 | 760 | 6195 | 2810 |
| 10 | 250 | 8.78 | 223 | 50.00 | 1270 | 50.00 | 1270 | 50.87 | 1292 | 37.64 | 956 | 19.76 | 502 | 35.43 | 900 | 9524 | 4320 |
| 12 | 300 | 10.43 | 265 | 55.98 | 1422 | 55.98 | 1422 | 56.89 | 1445 | 40.28 | 1023 | 22.05 | 560 | 39.37 | 1000 | 11486 | 5210 |

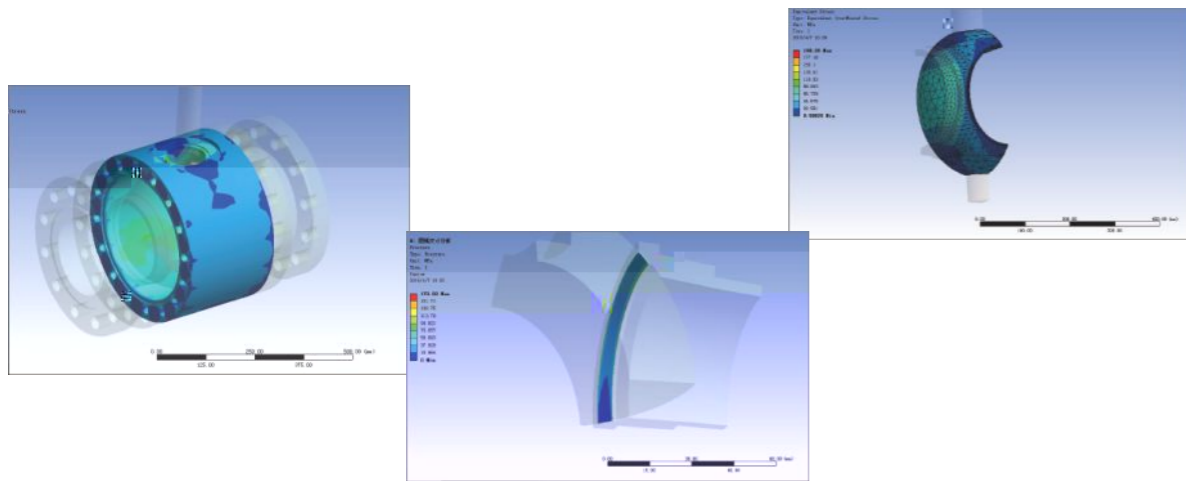
Class 2500

| D | | L | | | H1 | | H2 | | W | | V | | lb | kg | | | | | |
|---------|---------|-------|-----|------|-----|-------|------|-------|------|-------|------|-------|-------|-------|-----|-------|------|------|------|
| in | mm | RF | BW | RTJ | in | mm | in | mm | in | mm | in | mm | | | | | | | |
| 2"1-1/2 | 50*40 | 1.65 | 42 | 1.50 | 38 | 17.76 | 451 | 17.76 | 451 | 17.87 | 454 | 13.88 | 352.5 | 6.30 | 160 | 19.69 | 500 | 452 | 205 |
| 3*2 | 80*50 | 2.44 | 62 | 1.65 | 42 | 22.76 | 578 | 22.76 | 578 | 22.99 | 584 | 14.65 | 372 | 7.09 | 180 | 23.62 | 600 | 683 | 310 |
| 4*3 | 100*80 | 3.43 | 87 | 2.44 | 62 | 26.50 | 673 | 26.50 | 673 | 26.89 | 683 | 19.45 | 494 | 8.27 | 210 | 23.62 | 600 | 948 | 430 |
| 6*4 | 150*100 | 5.16 | 131 | 3.43 | 87 | 35.98 | 914 | 35.98 | 914 | 36.50 | 927 | 26.69 | 678 | 14.96 | 380 | 29.92 | 760 | 1918 | 870 |
| 8*6 | 200*150 | 7.05 | 179 | 5.16 | 131 | 40.24 | 1022 | 40.24 | 1022 | 40.87 | 1038 | 35.04 | 890 | 19.29 | 490 | 29.92 | 760 | 5071 | 2300 |
| 10*8 | 250*200 | 8.78 | 223 | 7.05 | 179 | 50.00 | 1270 | 50.00 | 1270 | 50.87 | 1292 | 37.64 | 956 | 19.76 | 502 | 35.43 | 900 | 8025 | 3640 |
| 12*10 | 300*250 | 10.43 | 265 | 8.78 | 223 | 55.98 | 1422 | 55.98 | 1422 | 56.89 | 1445 | 40.28 | 1023 | 22.05 | 560 | 39.37 | 1000 | 9921 | 4500 |

- 1.
- 2.
- 3.
- 4.
- 5.
- 6.



Neway CAD, Solidworks, NX, Ansys, Fesafe, Cfdesign



| | | Class(LB) | | | | | | | |
|-----|-----|-----------|------|---------|----|-----------|--|----|-------|
| BM | | 1 | 150 | 2.0Mpa | R | | | G | |
| BBM | | 3 | 300 | 5.0Mpa | J | RTJ | | M | |
| BSM | | 4 | 400 | 6.8Mpa | B | | | P | |
| | | 6 | 600 | 10.0Mpa | S | | | BS | |
| BSK | () | 8 | 800 | 14.0Mpa | N | NPT | | H | |
| | | 9 | 900 | 15.0Mpa | SN | () / () | | L | |
| | | 15 | 1500 | 25.0Mpa | | | | C | 350N) |
| | | 25 | 2500 | 42.0Mpa | | | | | |

